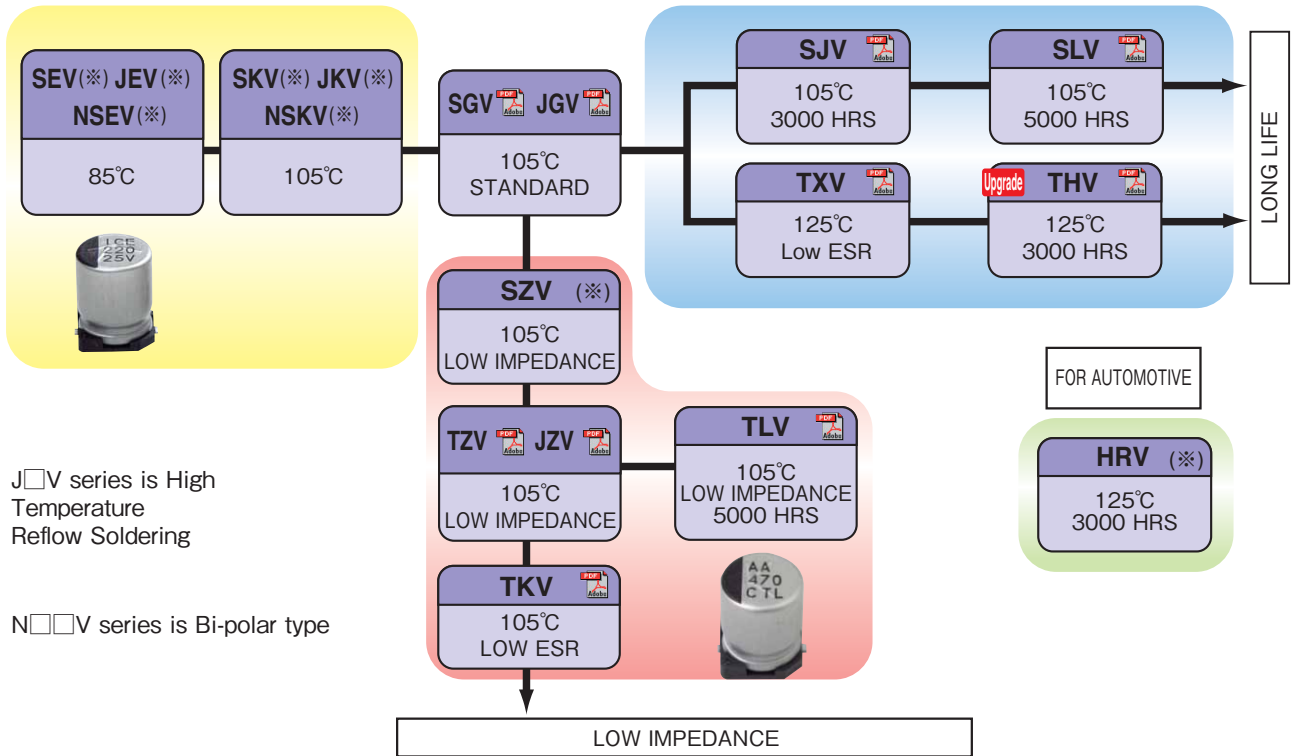
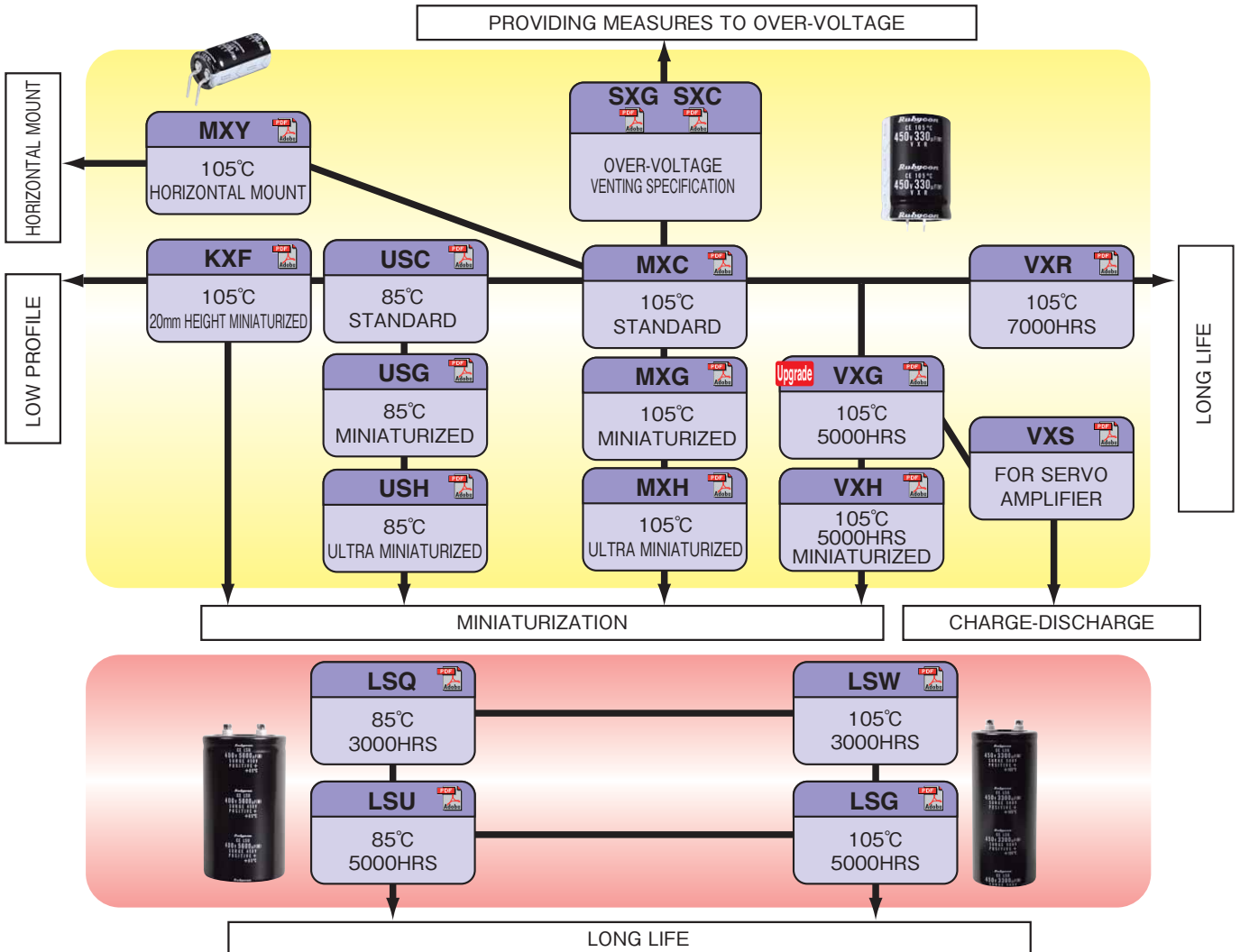


SERIES CHART

◆CHIP TYPE ALUMINUM ELECTROLYTIC CAPACITORS



◆LARGE CAN TYPE ALUMINUM ELECTROLYTIC CAPACITORS



★A custom design of the product is available. Please contact local sales office for detail.

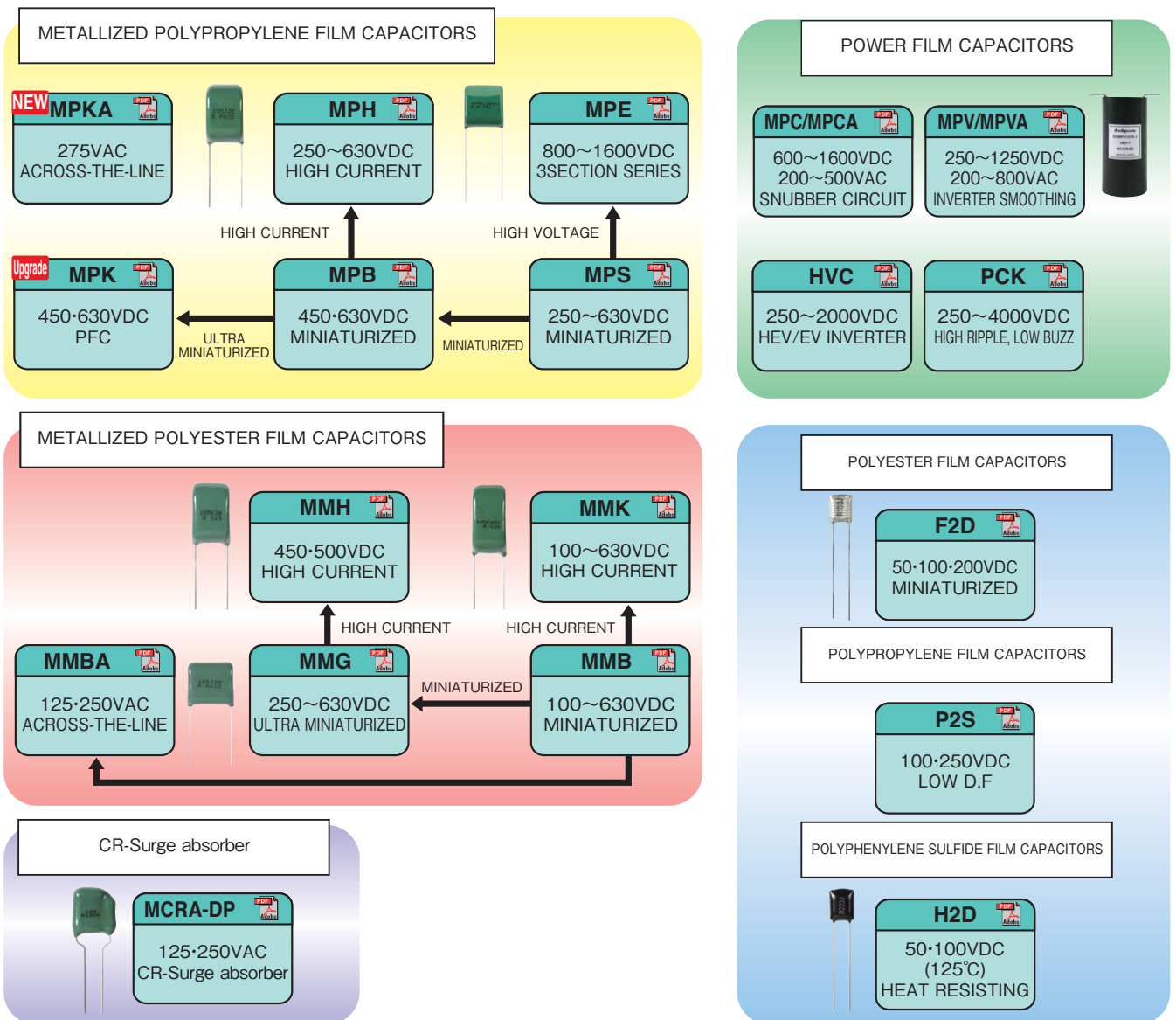
※Please contact our sales offices.

SERIES CHART

◆ALUMINUM ELECTROLYTIC CAPACITORS FOR PHOTO FLASH



◆SERIES CHART



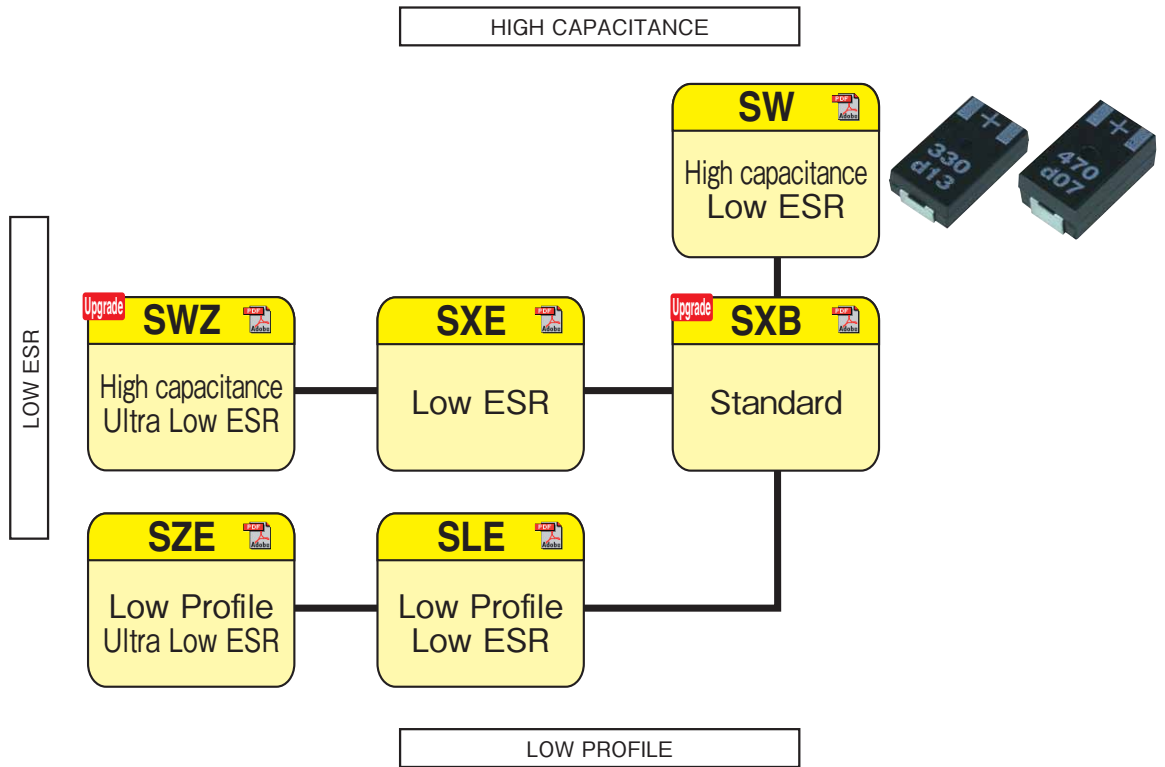
★A custom design of the product is available. Please contact local sales office for detail.

※Please contact our sales offices.



CONDUCTIVE POLYMER ALUMINUM SOLID ELECTROLYTIC CAPACITORS

SERIES CHART



POLYMER MULTI-LAYER CAPACITORS

SERIES CHART



ELECTRIC DOUBLE LAYER CAPACITORS

SERIES CHART

◆ LEAD WIRE TYPE



DMC (Image: DMC capacitor)
2.7V.DC

DMB (Image: DMB capacitor)
70°C Standard

DMA (Image: DMA capacitor)
60°C Standard

◆ SCREW TERMINAL TYPE



DSB (Image: DSB capacitor)
High Capacitance

DSA (Image: DSA capacitor)
Low Resistance