

RSW 100F

FEATURES

- * Resonant switchers, power factor correction and main converter
- * Power factor correction up to 0.99, meeting IEC61000-3-2(EN61000-3-2)
- * 85 to 264VAC universal input
- * High efficiency up to 90%
- * Low EMI, meeting FCC B, CISPR B
- * Low cost, open frame type

SAFETY STANDARDS

- UL1950 Recognized
- CSA22.2 No.950 Certified (cUL)
- EN60950 (NEMKO Certified)
- CE mark (LVD only)



APPLICATIONS

- *Data/information processing equipment
- *FA control equipment
- *Measuring, inspection and testing equipment
- *Communication equipment
- *Optical equipment
- *Peak loads (for Motor Drive, Lamp) *6

RSW100F SPECIFICATIONS

ITEM		RSW100F-5	RSW100F-12	RSW100F-15	RSW100F-24
1	Rated output DC voltage	5V	12V	15V	24V
2	Rated output DC current (Peak *6)	20A (22A)	8.3A (15A)	6.7A (12A)	4.2A (7.5A)
3	Maximum output power (Peak *6)	100W (110W)	99.6W (180W)	100.5W (180W)	100.8W (180W)
4	Adjustable voltage range *1	4.9 ~ 5.25V	11.7 ~ 12.6V	14.7 ~ 15.75V	23.5 ~ 25.2V
5	Efficiency(120/230V AC, TYP) *1	77%/80%	87%/88%	88%/89%	89%/90%
6	Maximum ripple noise	50mVpp	80mVpp	100mVpp	150mVpp
7	Over current protection *3	23A ~	15.8A ~	12.7A ~	7.8A ~
8	Over voltage protection *4	5.75V ~	13.8V ~	17.3V ~	27.6V ~
9	Input voltage range	85V ~ 264VAC			
10	Input frequency range	47Hz ~ 63Hz			
11	Input current *1	1.15A (100VAC) , 0.52A (230VAC)			
12	Power factor *1	0.99TYP (100VAC), 0.95TYP (230VAC)			
13	Inrush current *2	20Apk MAX (120VAC), 40Apk MAX (240VAC)			
14	Hold-up time *5	20msMIN			

NOTES

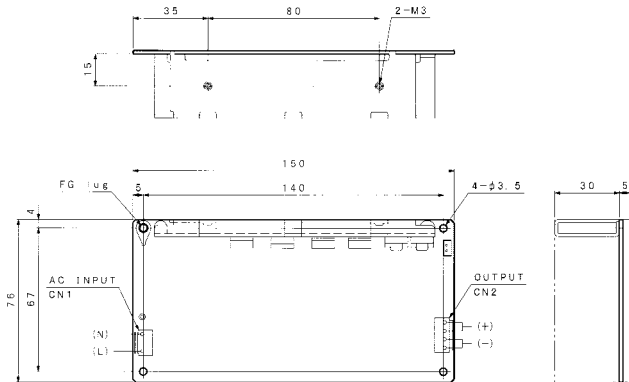
- *1 When maximum output is worked
- *2 When cold start works with rated voltage at 25 °C ambient temperature
- *3 Recovers automatically
- *4 Recovers on input again
- *5 When maximum output is worked, after last AC line peak
- *6 (Peak) : Peak Loads for 10 seconds or less are acceptable. Input voltage range AC170V ~ AC264V only.

RSW100F

RSW100F GENERAL SPECIFICATIONS

ITEM		
1	Maximum line / load regulation	± 0.5%
2	Voltage tolerance ratio	± 3% at line, load, time, temperature
3	Operating temperature	-10 ~ 60 (Refer to Output derating)
4	Operating humidity	30 ~ 90%RH (Non condensing)
5	Storage temperature	-30 ~ 85
6	Storage humidity	10 ~ 95%RH (Non condensing)
7	Cooling	Convection or forced air cooling (Refer to Output derating)
8	Electric strength voltages	Input - Output 3000VAC 1 minute , Input - FG 1500VAC 1 minute , Output - FG 500VAC 1 minute
9	Insulation resistance	100M MIN DC500V 25 70%RH Input - Output, Input - FG, Output - FG
10	Leakage current	0.5mA MAX (240VAC, 50Hz)
11	Vibration	10 ~ 55Hz 2G (3 directions each 1 hour)
12	Shock	20ms 20G (3 directions each 3 times)
13	Safety standards	UL1950, CSA950(cUL), EN60950(NEMKO) Approvals
14	Conduction noise	Meeting FCC Class B, EN55022 Class B, VCCI Class B
15	Harmonic distortion	Meeting EN61000-3-2
16	Mains surge	Meeting EN61000-3-5 Level 3/4KV(CM),2KV(DM)
17	Dimensions	76.2(W) 160(D) 30(H) mm / 3"(W) 6.3"(D) 1.18"(H)
18	Weight	285g / 0.63lb. TYP

RSW100F OUTLINE DRAWING



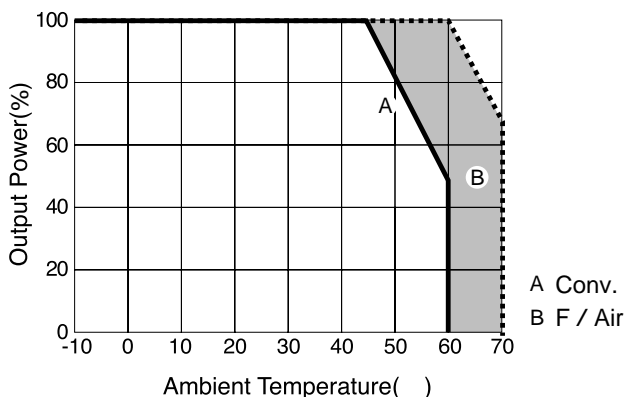
Connectors Used

Part Description	Part Name	Manufacturer	Q.T.Y
CN1 Pin Header (Input side)	B2P3-VH or B3P5-VH	JST	1
CN2 Pin Header (Output side)	B4P-VH	JST	1

Matching Housings and Pins (Not included with the product)

Part Description	Part Name	Manufacturer	Q.T.Y
CN1 Socket Housing	VHR-3N or VHR-5N	JST	1
CN2 Socket Housing	VHR-4N	JST	1
(CN1, CN2) Terminal Pins	BVH-21T-P1.1	JST	6 or 7

RSW100F OUTPUT DERATING



Mounting Direction(conv)

