

◆ **PART NUMBER**

□□□	□□□□	□□□□□	□	□□□	□□	D×L												
Rated Voltage	Series	Rated Capacitance	Capacitance Tolerance	Option	Terminal Code	Case Size												
↑	↑	↑	↑	↑	↑	↑												
<table border="1" style="width:100%; border-collapse: collapse;"> <tr> <th>Rated Voltage(V)</th> <th>Code</th> </tr> <tr> <td style="text-align: center;">100</td> <td style="text-align: center;">100</td> </tr> <tr> <td style="text-align: center;">450</td> <td style="text-align: center;">450</td> </tr> </table>	Rated Voltage(V)	Code	100	100	450	450	<table border="1" style="width:100%; border-collapse: collapse;"> <tr> <th>Cap.(μF)</th> <th>Code</th> </tr> <tr> <td style="text-align: center;">22</td> <td style="text-align: center;">22</td> </tr> <tr> <td style="text-align: center;">1000</td> <td style="text-align: center;">1000</td> </tr> </table>	Cap.(μF)	Code	22	22	1000	1000	<div style="border: 1px solid black; padding: 5px; width: 50px; margin: 0 auto;">M ±20%</div>	<div style="border: 1px solid black; padding: 5px; width: 80px; margin: 0 auto;">Refer to each series'page</div>	<div style="border: 1px solid black; padding: 5px; width: 60px; margin: 0 auto;">SN MN</div>	<div style="border: 1px solid black; padding: 5px; width: 80px; margin: 0 auto;">20×30 35×45</div>	
Rated Voltage(V)	Code																	
100	100																	
450	450																	
Cap.(μF)	Code																	
22	22																	
1000	1000																	
Please indicate the above information, when you inquire.																		
Example :																		
• SN [4 (3.5 mm)] terminal type 200 MXC 820 M OOE SN 25×40																		

◆ **Dimensions in mm (not to scale)**

● SN [4(3.5mm) terminal type] Terminal code : SN(Tin plating)

The technical drawings include:

- Side View:** Shows the cylindrical capacitor with a vent on the left, a sleeve on the right, and two terminals. Dimensions include length $L \pm 2$ and a distance of 4 ± 0.5 from the sleeve to the terminal.
- Top View:** Shows the circular top of the capacitor with a diameter of $\phi D \pm 1$ and a distance of 10 from the center to the terminal.
- Mounting Holes View:** Shows two mounting holes with a diameter of $2 - \phi 2$ and a distance of 10 ± 0.1 from the center to the hole.
- Terminal Detail:** Shows the profile of the terminal with a height of 1.5 ± 0.1 and a width of 1.5 ± 0.3 . The distance between terminals is 4.0 ± 0.5 . The top of the terminal is labeled "Top of spin".

*For $\phi 35, 3.5 \pm 0.5$

• Please consult us about terminal type other than those above listed.

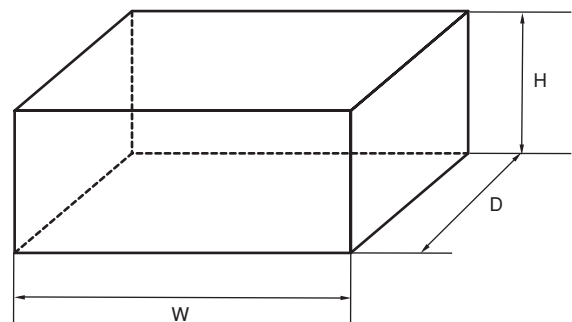
◆ PART NUMBER

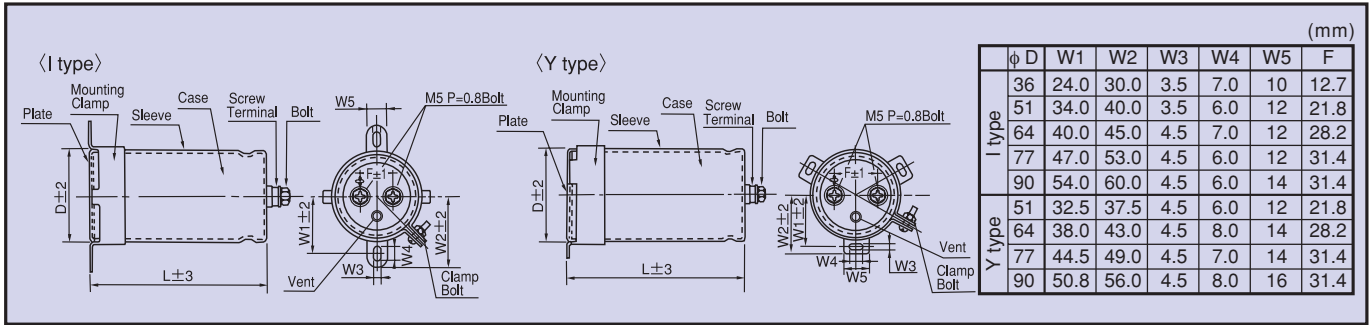
Rated Voltage	Series	Rated Capacitance	Capacitance Tolerance	Option	Clamp Code	D×L																	
□□□	□□□□	□□□□□	□	□□□	□□	D×L																	
↑		↑	↑		↑	↑																	
<table border="1" style="width:100%; border-collapse: collapse;"> <tr><th>Rated Voltage(V)</th><th>Code</th></tr> <tr><td style="text-align:center;">350</td><td style="text-align:center;">350</td></tr> <tr><td style="text-align:center;">450</td><td style="text-align:center;">450</td></tr> </table>	Rated Voltage(V)	Code	350	350	450	450		<table border="1" style="width:100%; border-collapse: collapse;"> <tr><th>Cap.(μF)</th><th>Code</th></tr> <tr><td style="text-align:center;">5800</td><td style="text-align:center;">5800</td></tr> <tr><td style="text-align:center;">8200</td><td style="text-align:center;">8200</td></tr> </table>	Cap.(μF)	Code	5800	5800	8200	8200	<table border="1" style="width:100%; border-collapse: collapse;"> <tr><td style="text-align:center;">M ± 20%</td></tr> <tr><td style="text-align:center;">K ± 10%</td></tr> </table>	M ± 20%	K ± 10%	<table border="1" style="width:100%; border-collapse: collapse;"> <tr><td style="text-align:center;">Three stopping clamp</td></tr> <tr><td style="text-align:center;">Two stopping clamp</td></tr> </table>	Three stopping clamp	Two stopping clamp	<table border="1" style="width:100%; border-collapse: collapse;"> <tr><td style="text-align:center;">51×138</td></tr> <tr><td style="text-align:center;">90×241</td></tr> </table>	51×138	90×241
Rated Voltage(V)	Code																						
350	350																						
450	450																						
Cap.(μF)	Code																						
5800	5800																						
8200	8200																						
M ± 20%																							
K ± 10%																							
Three stopping clamp																							
Two stopping clamp																							
51×138																							
90×241																							
Please indicate the above information, which you inquire.																							
Example																							
•Y-type clamp (Three stopping clamp) 400 LSU 5600 M RY 77×141																							

◆ PACKAGING SPECIFICATION

SIZE	PACKAGE QUANTITY (pcs/box)	WEIGHT(REFERENCE) (g/pc)	PACKAGE DIMENSIONS W×D×H(mm)
φ 36	36×50	60	460×420×255
	36×63	60	460×420×255
	36×83	60	460×420×295
	36×98	60	460×420×355
	36×118	60	460×420×355
φ 51	51×83	30	525×485×215
	51×98	30	525×485×215
	51×118	30	525×485×215
	51×138	30	525×485×245
	51×148	30	525×485×245
φ 64	64×99	20	525×485×215
	64×109	20	525×485×215
	64×119	20	525×485×245
	64×139	20	525×485×245
	64×149	20	525×485×245
	64×189	10	551×340×295

SIZE	PACKAGE QUANTITY (pcs/box)	WEIGHT(REFERENCE) (g/pc)	PACKAGE DIMENSIONS W×D×H(mm)
φ 77	77×101	10	680×320×215
	77×121	10	680×320×245
	77×141	10	680×320×245
	77×151	8	551×340×295
	77×191	8	551×340×295
	φ 90	90×121	10
90×141		10	680×320×245
90×151		8	551×340×295
90×191		8	551×340×295
90×221		6	450×340×345
90×241		6	450×340×345

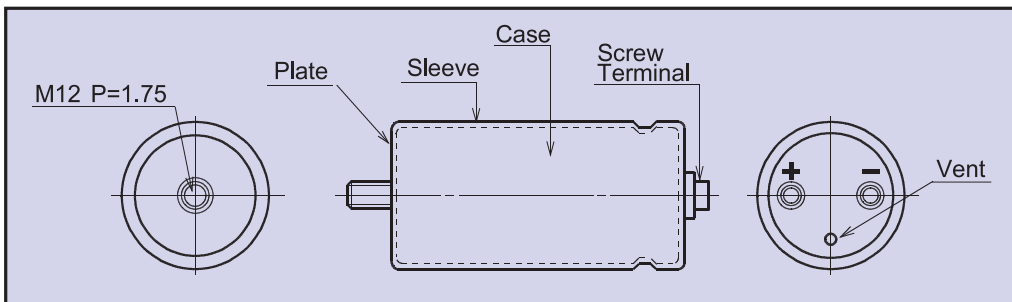


◆ Dimensions in mm (not to scale)


* <Note>The terminal bolt is separately supplied and not attached to the product.

◆ Tightening torque and Permissible current of bolt.

Clamp Bolt	Recommended Tightening torque	Connection Bolt	Recommended Tightening torque (Permissible Range)	Rated Current of Bolt
M3	0.6<N•m>	M5	2.2(1.5~3.2)<N•m>	50Arms
M4	1.3<N•m>	M6	3.0(3.0~3.5)<N•m>	100Arms

◆ Stud Mounting Type


*Please contact us for Stud mounting screw terminal capacitors.