

FXC SERIES

105°C, Flame Retardant, Overvoltage Venting Specification

- Load Life : 105°C 2000 hours
- This series adopts the electrolyte which was excellent in fire retardancy compared with the conventional series.
- This series has specification of vent operation in overvoltage situation.



◆ SPECIFICATIONS

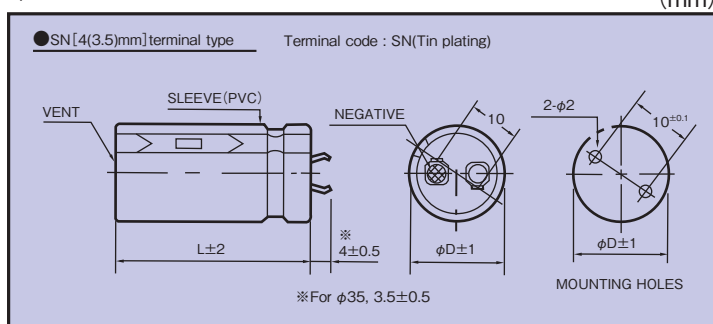
Items	Characteristics						
Category Temperature Range	-25~+105°C						
Rated Voltage Range	400~450Vdc						
Capacitance Tolerance	±20% (20°C, 120Hz)						
Leakage Current(MAX)	$I=3\sqrt{CV}$ (After 5 minutes application of rated voltage) I =Leakage Current(μA) C =Capacitance(μF) V =Rated Voltage(Vdc)						
Dissipation Factor(MAX) (tanδ)	0.2 (20°C, 120Hz)						
Endurance	After applying rated voltage with rated ripple current for 2000 hours at 105°C, the capacitors shall meet the following requirements. <table border="1" style="width: 100%;"> <tr> <td>Capacitance Change</td> <td>Within ±20% of the initial value.</td> </tr> <tr> <td>Dissipation Factor</td> <td>Not more than 200% of the specified value.</td> </tr> <tr> <td>Leakage Current</td> <td>Not more than the specified value.</td> </tr> </table>	Capacitance Change	Within ±20% of the initial value.	Dissipation Factor	Not more than 200% of the specified value.	Leakage Current	Not more than the specified value.
Capacitance Change	Within ±20% of the initial value.						
Dissipation Factor	Not more than 200% of the specified value.						
Leakage Current	Not more than the specified value.						
Low Temperature Stability Impedance Ratio(MAX)	<table border="1" style="width: 100%;"> <tr> <td>Rated Voltage (Vdc)</td> <td>400~450</td> <td>(120Hz)</td> </tr> <tr> <td>Z(-25°C)/Z(20°C)</td> <td>15</td> <td></td> </tr> </table>	Rated Voltage (Vdc)	400~450	(120Hz)	Z(-25°C)/Z(20°C)	15	
Rated Voltage (Vdc)	400~450	(120Hz)					
Z(-25°C)/Z(20°C)	15						

● The specifications and the size depend on the safety requirement. (flame retardant, overvoltage vent operation)
 Please consult us for any further details.

◆ PART NUMBER



◆ DIMENSIONS



◆ OPTION

	Code
PVC Sleeve without plate	OOE