

THK series

125°C 2000 時間品  
Load Life : 125°C 2000 hours



◆規格表 / SPECIFICATIONS

| 項目 Item  | 特性 Characteristics   |                               |   |                              |  |                         |   |
|--|--|-------------------------------|---|------------------------------|--|-------------------------|---|
| カテゴリ温度範囲<br>Category Temperature Range                                   | -25~+125°C   |                               |   |                              |  |                         |   |
| 定格電圧範囲<br>Rated Voltage Range  | 400~450Vdc   |                               |   |                              |  |                         |   |
| 静電容量許容差<br>Capacitance Tolerance   | ±20% (20°C, 120Hz)   |                               |   |                              |  |                         |   |
| 漏れ電流<br>Leakage Current (MAX)  | $I=5\sqrt{CV}$ (定格電圧印加5分後)<br>$I=5\sqrt{CV}$ (After 5 minutes application of rated voltage)<br>I=漏れ電流 (μA) C=静電容量 (μF) V=定格電圧 (Vdc)<br>Leakage Current Capacitance Rated Voltage   |                               |   |                              |  |                         |   |
| 損失角の正接 (tan δ)<br>Dissipation Factor (MAX)                               | <table border="1"> <tr> <td>定格電圧 (Vdc)<br/>Rated Voltage</td> <td>400~<br/>450</td> <td rowspan="2">(20°C, 120Hz)</td> </tr> <tr> <td>tan δ</td> <td>0.25</td> </tr> </table>  | 定格電圧 (Vdc)<br>Rated Voltage   | 400~<br>450                                       | (20°C, 120Hz)                | tan δ  | 0.25                    |   |
| 定格電圧 (Vdc)<br>Rated Voltage  | 400~<br>450  | (20°C, 120Hz)                 |   |                              |  |                         |   |
| tan δ  | 0.25   |                               |   |                              |  |                         |   |
| 耐久性<br>Endurance   | 125°C中で2000時間定格電圧(リップル重畳)印加後、下記項目を満足すること。<br>After applying rated voltage with rated ripple current for 2000 hours at 125°C, the capacitors shall meet the following requirements.   |                               |   |                              |  |                         |   |
|  | <table border="1"> <tr> <td>静電容量変化率<br/>Capacitance Change</td> <td>初期値の ±20% 以内<br/>Within ±20% of the initial value.</td> </tr> <tr> <td>損失角の正接<br/>Dissipation Factor</td> <td>規格値の 200% 以下<br/>Not more than 200% of the specified value.</td> </tr> <tr> <td>漏れ電流<br/>Leakage Current</td> <td>規格値以下<br/>Not more than the specified value.</td> </tr> </table> | 静電容量変化率<br>Capacitance Change | 初期値の ±20% 以内<br>Within ±20% of the initial value. | 損失角の正接<br>Dissipation Factor | 規格値の 200% 以下<br>Not more than 200% of the specified value. | 漏れ電流<br>Leakage Current | 規格値以下<br>Not more than the specified value. |
| 静電容量変化率<br>Capacitance Change  | 初期値の ±20% 以内<br>Within ±20% of the initial value.  |                               |   |                              |  |                         |   |
| 損失角の正接<br>Dissipation Factor   | 規格値の 200% 以下<br>Not more than 200% of the specified value.   |                               |   |                              |  |                         |   |
| 漏れ電流<br>Leakage Current  | 規格値以下<br>Not more than the specified value.  |                               |   |                              |  |                         |   |
| 低温特性<br>Low Temperature Stability<br>(インピーダンス比)<br>Impedance Ratio (MAX) | <table border="1"> <tr> <td>定格電圧 (Vdc)<br/>Rated Voltage</td> <td>400~<br/>450</td> <td rowspan="2">(120Hz)</td> </tr> <tr> <td>Z(-25°C)/Z(+20°C)</td> <td>10</td> </tr> </table>  | 定格電圧 (Vdc)<br>Rated Voltage   | 400~<br>450                                       | (120Hz)                      | Z(-25°C)/Z(+20°C)  | 10                      |   |
| 定格電圧 (Vdc)<br>Rated Voltage  | 400~<br>450  | (120Hz)                       |   |                              |  |                         |   |
| Z(-25°C)/Z(+20°C)  | 10   |                               |   |                              |  |                         |   |

◆呼称方法 / PART NUMBER

□□□ THK □□□□□
M
□□□
SN
D x L  
 定格電圧 シリーズ名 静電容量 静電容量許容差 副記号 端子記号 ケースサイズ  
 Rated Voltage Series Capacitance Capacitance Tolerance Option Terminal Code Case Size

◆リップル電流補正係数 /

MULTIPLIER FOR RIPPLE CURRENT

|                       |            |              |      |      |      |       |
|-----------------------|------------|--------------|------|------|------|-------|
| 周波数 (Hz)<br>Frequency | 60<br>(50) | 120<br>(100) | 300  | 500  | 1k   | 10k ≤ |
| 係数<br>Coefficient     | 0.80       | 1.00         | 1.15 | 1.20 | 1.25 | 1.40  |

◆副記号 / OPTION

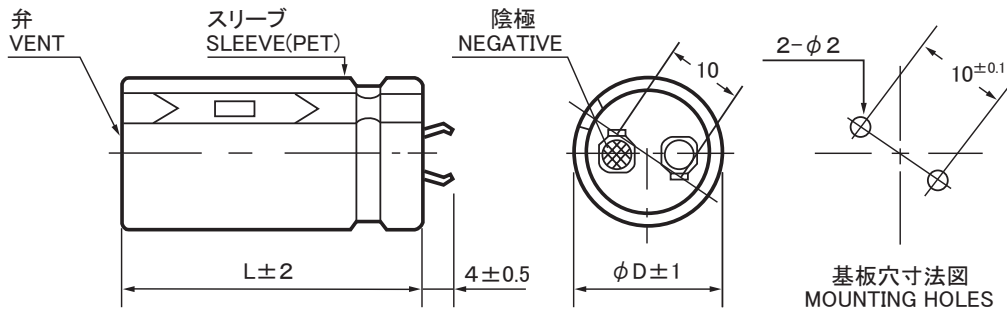
EFC : PET スリーブ、底板なし  
PET Sleeve without plate

◆寸法図/DIMENSIONS

●SN[4mm]端子タイプ  
SN[4mm]terminal type

端子記号 : SN(錫メッキ)  
Terminal code : SN(Tin plating)

(mm)



基板穴寸法図  
MOUNTING HOLES

◆標準品一覧表/STANDARD SIZE

| Cap.( $\mu$ F) | 400Vdc    |      |           |      |           |      |           |      |
|----------------|-----------|------|-----------|------|-----------|------|-----------|------|
|                | $\phi$ 22 |      | $\phi$ 25 |      | $\phi$ 30 |      | $\phi$ 35 |      |
| 100            | 22×25     | 0.84 |           |      |           |      |           |      |
| 120            | 22×30     | 0.97 |           |      |           |      |           |      |
| 150            | 22×30     | 1.06 | 25×25     | 1.03 |           |      |           |      |
| 180            | 22×35     | 1.22 | 25×30     | 1.19 |           |      |           |      |
| 220            | 22×40     | 1.38 | 25×35     | 1.37 | 30×25     | 1.22 |           |      |
| 270            | 22×50     | 1.64 | 25×40     | 1.56 | 30×30     | 1.43 | 35×25     | 1.33 |
| 330            | 22×55     | 1.81 | 25×45     | 1.76 | 30×35     | 1.64 | 35×30     | 1.56 |
| 390            |           |      | 25×50     | 1.94 | 30×40     | 1.84 | 35×30     | 1.59 |
| 470            |           |      | 25×60     | 2.25 | 30×45     | 2.06 | 35×35     | 1.82 |
| 560            |           |      |           |      | 30×50     | 2.27 | 35×40     | 2.05 |
| 680            |           |      |           |      | 30×60     | 2.62 | 35×45     | 2.26 |
| 820            |           |      |           |      |           |      | 35×55     | 2.66 |
| 1000           |           |      |           |      |           |      | 35×60     | 2.86 |

| Cap.( $\mu$ F) | 420Vdc    |      |           |      |           |      |           |      |
|----------------|-----------|------|-----------|------|-----------|------|-----------|------|
|                | $\phi$ 22 |      | $\phi$ 25 |      | $\phi$ 30 |      | $\phi$ 35 |      |
| 100            | 22×25     | 0.84 |           |      |           |      |           |      |
| 120            | 22×30     | 0.97 |           |      |           |      |           |      |
| 150            | 22×30     | 1.04 | 25×25     | 1.02 |           |      |           |      |
| 180            | 22×35     | 1.21 | 25×30     | 1.19 |           |      |           |      |
| 220            | 22×40     | 1.36 | 25×35     | 1.37 | 30×25     | 1.20 |           |      |
| 270            | 22×50     | 1.64 | 25×40     | 1.56 | 30×30     | 1.43 | 35×25     | 1.32 |
| 330            | 22×60     | 1.90 | 25×45     | 1.75 | 30×35     | 1.64 | 35×30     | 1.54 |
| 390            |           |      | 25×55     | 2.03 | 30×40     | 1.84 | 35×30     | 1.58 |
| 470            |           |      | 25×60     | 2.22 | 30×45     | 2.05 | 35×35     | 1.81 |
| 560            |           |      |           |      | 30×50     | 2.25 | 35×40     | 2.03 |
| 680            |           |      |           |      | 30×60     | 2.61 | 35×45     | 2.24 |
| 820            |           |      |           |      |           |      | 35×55     | 2.64 |

| Cap.( $\mu$ F) | 450Vdc    |      |           |      |           |      |           |      |
|----------------|-----------|------|-----------|------|-----------|------|-----------|------|
|                | $\phi$ 22 |      | $\phi$ 25 |      | $\phi$ 30 |      | $\phi$ 35 |      |
| 100            | 22×25     | 0.83 |           |      |           |      |           |      |
| 120            | 22×30     | 0.95 | 25×25     | 0.93 |           |      |           |      |
| 150            | 22×35     | 1.11 | 25×30     | 1.08 |           |      |           |      |
| 180            | 22×40     | 1.25 | 25×30     | 1.16 | 30×25     | 1.12 |           |      |
| 220            | 22×45     | 1.42 | 25×35     | 1.34 | 30×30     | 1.32 |           |      |
| 270            | 22×50     | 1.57 | 25×40     | 1.51 | 30×35     | 1.51 | 35×25     | 1.28 |
| 330            | 22×60     | 1.83 | 25×50     | 1.80 | 30×35     | 1.57 | 35×30     | 1.52 |
| 390            |           |      | 25×55     | 1.98 | 30×40     | 1.77 | 35×35     | 1.73 |
| 470            |           |      |           |      | 30×50     | 2.11 | 35×40     | 1.95 |
| 560            |           |      |           |      | 30×55     | 2.32 | 35×45     | 2.16 |
| 680            |           |      |           |      |           |      | 35×50     | 2.37 |
| 820            |           |      |           |      |           |      | 35×55     | 2.56 |

ケースサイズ Case Size  $\phi$ D×L(mm) →  
リップル電流 Ripple Current (A.r.m.s./120Hz,125°C) →