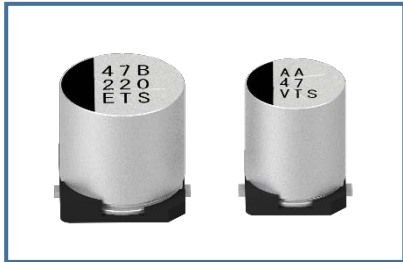


**Rubycon** **CHIP ALUMINUM ELECTROLYTIC CAPACITORS** **TSV**

**TSV** SERIES

NEW



Load life : 150°C 1000 hours Low ESR

• AEC-Q200

RoHS Compliance

◆ SPECIFICATIONS

Item	Characteristics								
Category Temperature Range	-40~+150°C								
Rated Voltage Range	25~35Vdc								
Capacitance Tolerance	±20% (20°C, 120Hz)								
Leakage Current (MAX)	I=0.01CV or 3μA whichever is greater. (After 2 minutes application of rated voltage) I= Leakage Current(μA)      C= Capacitance(μF)      V= Rated Voltage(Vdc)								
Dissipation Factor(MAX) (tanδ)	<table border="1"> <tr> <td>Rated Voltage (Vdc)</td> <td>25</td> <td>35</td> <td>(20°C, 120Hz)</td> </tr> <tr> <td>tan δ</td> <td>0.18</td> <td>0.16</td> <td></td> </tr> </table>	Rated Voltage (Vdc)	25	35	(20°C, 120Hz)	tan δ	0.18	0.16	
Rated Voltage (Vdc)	25	35	(20°C, 120Hz)						
tan δ	0.18	0.16							
Endurance	After applying rated voltage for 1000 hours at 150°C, the capacitors shall meet the following requirements. <table border="1"> <tr> <td>Capacitance Change</td> <td>Within ±30% of the initial value.</td> </tr> <tr> <td>Dissipation Factor</td> <td>Not more than 300% of the specified value.</td> </tr> <tr> <td>Leakage Current</td> <td>Not more than the specified value.</td> </tr> </table>	Capacitance Change	Within ±30% of the initial value.	Dissipation Factor	Not more than 300% of the specified value.	Leakage Current	Not more than the specified value.		
Capacitance Change	Within ±30% of the initial value.								
Dissipation Factor	Not more than 300% of the specified value.								
Leakage Current	Not more than the specified value.								
Low Temperature Stability Impedance Ratio (MAX)	<table border="1"> <tr> <td>Rated Voltage (Vdc)</td> <td>25</td> <td>35</td> <td>(120Hz)</td> </tr> <tr> <td>Z(-40°C)/Z(20°C)</td> <td>3</td> <td>3</td> <td></td> </tr> </table>	Rated Voltage (Vdc)	25	35	(120Hz)	Z(-40°C)/Z(20°C)	3	3	
Rated Voltage (Vdc)	25	35	(120Hz)						
Z(-40°C)/Z(20°C)	3	3							

◆ MULTIPLIER FOR RIPPLE CURRENT

Frequency (Hz)	120	1k	10k	100k≤
Coefficient	0.60	0.85	0.95	1.00

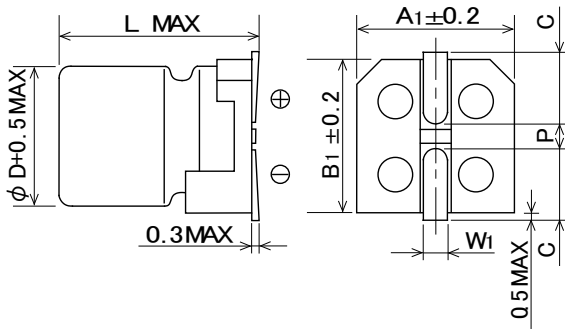
◆ PART NUMBER

□□□  
Rated Voltage
TSV  
Series
□□□  
Capacitance
M  
Capacitance Tolerance
□□□  
Option
φDxL  
Case Size

\*Specifications subject to change without notice.

**Rubycon** **CHIP ALUMINUM ELECTROLYTIC CAPACITORS** **TSV**

◆ DIMENSIONS



φD	L	A1	B1	C	W1	P
8	10.5	8.3	8.3	2.9	0.8~1.1	3.1
10	10.5	10.3	10.3	3.2	0.8~1.1	4.5

◆ STANDARD SIZE Size φ DXL(mm), Rated Ripple Current(mAr.m.s./150 °C,100kHz), ESR(Ω MAX/100kHz)

Vdc	Cap (μ F)	Size (φ D×L)	Ripple	ESR	
				20°C	-40°C
25	100	8×10.5	110	0.18	3.0
	220	10×10.5	150	0.12	2.0
35	47	8×10.5	110	0.18	3.0
	100	10×10.5	150	0.12	2.0

\*Specifications subject to change without notice.