

VXH SERIES
105°C 5000 hours, Miniaturized

*Load Life : 105°C 5000 hours.

 RoHS
compliance

◆SPECIFICATIONS

Items	Characteristics								
Category Temperature Range	-25~+105°C								
Rated Voltage Range	200~450Vdc								
Capacitance Tolerance	±20% (20°C, 120Hz)								
Leakage Current(MAX)	$I=3\sqrt{CV}$ (After 5 minutes application of rated voltage) I =Leakage Current(μ A) C =Capacitance(μ F) V =Rated Voltage(Vdc)								
Dissipation Factor(MAX) (tan δ)	0.2 (20°C, 120Hz)								
Endurance	After applying rated voltage with rated ripple current for 5000 hours at 105°C, the capacitors shall meet the following requirements. <table border="1" style="width: 100%; margin-top: 5px;"> <tr> <td>Capacitance Change</td> <td>Within ±20% of the initial value.</td> </tr> <tr> <td>Dissipation Factor</td> <td>Not more than 200% of the specified value.</td> </tr> <tr> <td>Leakage Current</td> <td>Not more than the specified value.</td> </tr> </table>	Capacitance Change	Within ±20% of the initial value.	Dissipation Factor	Not more than 200% of the specified value.	Leakage Current	Not more than the specified value.		
Capacitance Change	Within ±20% of the initial value.								
Dissipation Factor	Not more than 200% of the specified value.								
Leakage Current	Not more than the specified value.								
Low Temperature Stability Impedance Ratio(MAX)	<table border="1" style="width: 100%; margin-top: 5px;"> <tr> <td>Rated Voltage (Vdc)</td> <td>200~250</td> <td>315~450</td> <td>(120Hz)</td> </tr> <tr> <td>Z(-25°C)/Z(20°C)</td> <td>3</td> <td>8</td> <td></td> </tr> </table>	Rated Voltage (Vdc)	200~250	315~450	(120Hz)	Z(-25°C)/Z(20°C)	3	8	
Rated Voltage (Vdc)	200~250	315~450	(120Hz)						
Z(-25°C)/Z(20°C)	3	8							

◆MULTIPLIER FOR RIPPLE CURRENT

Frequency (Hz)	60(50)	120(100)	300	500	1k	10k \leq	
Coefficient	200~250Vdc	0.80	1.00	1.15	1.20	1.30	1.50
	315~450Vdc	0.80	1.00	1.15	1.20	1.25	1.40

◆OPTION

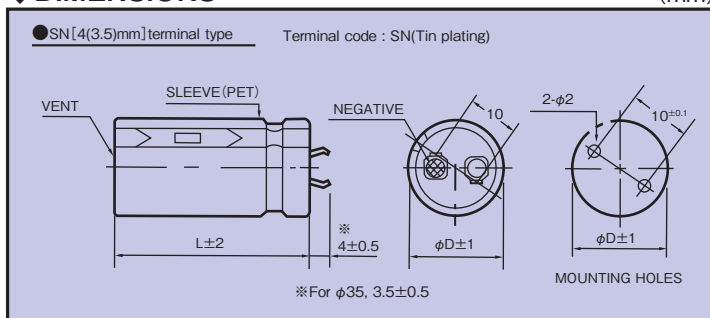
Option	Code
PET Sleeve without plate	EFC

◆PART NUMBER

□□□	VXH	□□□□□	M	□□□	SN	DXL
Rated Voltage	Series	Capacitance	Capacitance Tolerance	Option	Terminal Code	Case Size

◆DIMENSIONS

(mm)



◆ **STANDARD SIZE**

Cap(μF) Vdc φD	200				220			
	φ22	φ25	φ30	φ35	φ22	φ25	φ30	φ35
270					22×25 1.33			
330	22×25 1.41				22×30 1.55			
390	22×30 1.63				22×30 1.63	25×25 1.50		
470	22×30 1.72	25×25 1.57			22×35 1.85	25×30 1.76		
560	22×35 1.95	25×30 1.84			22×40 2.08	25×30 1.83	30×25 1.64	
680	22×40 2.22	25×35 2.11	30×25 1.69		22×45 2.34	25×35 2.10	30×30 1.94	
820	22×50 2.60	25×40 2.37	30×30 2.01	35×25 1.68	22×55 2.73	25×40 2.35	30×30 1.99	35×25 1.89
1000	22×60 3.00	25×45 2.63	30×35 2.30	35×30 2.02		25×45 2.65	30×35 2.26	35×30 2.15
1200		25×50 2.88	30×40 2.55	35×30 2.22		25×60 3.19	30×40 2.53	35×35 2.48
1500			30×45 2.80	35×35 2.56			30×50 2.97	35×40 2.50
1800			30×50 3.08	35×40 2.85			30×60 3.43	35×45 3.04
2200				35×50 3.14				35×55 3.18
2700				35×60 3.49				

Cap(μF) Vdc φD	250				315			
	φ22	φ25	φ30	φ35	φ22	φ25	φ30	φ35
150					22×25 1.00			
180					22×30 1.14			
220					22×35 1.31	25×25 1.20		
270	22×25 1.32				22×40 1.49	25×30 1.39		
330	22×30 1.54	25×25 1.45			22×45 1.69	25×35 1.59	30×25 1.41	
390	22×35 1.75	25×30 1.68			22×50 1.87	25×40 1.78	30×30 1.63	35×25 1.48
470	22×40 1.97	25×30 1.75			22×55 2.09	25×45 1.99	30×35 1.86	35×30 1.74
560	22×45 2.20	25×35 1.99	30×25 1.63		22×60 2.29	25×50 2.21	30×40 2.08	35×30 1.76
680	22×50 2.45	25×40 2.25	30×30 1.92	35×25 1.80		25×55 2.44	30×45 2.32	35×35 2.01
820	22×60 2.81	25×45 2.49	30×35 2.19	35×30 1.94		25×60 2.68	30×50 2.55	35×40 2.26
1000		25×55 2.91	30×40 2.44	35×35 2.38			30×55 2.78	35×50 2.70
1200			30×45 2.68	35×40 2.47			30×60 3.01	35×55 2.92
1500			30×55 3.15	35×45 2.92				35×60 3.12
1800				35×50 3.04				
2200				35×60 3.37				

Cap(μF) Vdc φD	350				385			
	φ22	φ25	φ30	φ35	φ22	φ25	φ30	φ35
120	22×25 0.92				22×25 0.93			
150	22×30 1.08				22×30 1.08			
180	22×35 1.22	25×25 1.13			22×30 1.17	25×25 1.13		
220	22×40 1.39	25×30 1.30			22×35 1.33	25×30 1.31		
270	22×45 1.57	25×35 1.49	30×25 1.34		22×45 1.58	25×35 1.50	30×25 1.33	
330	22×50 1.77	25×40 1.69	30×30 1.56	35×25 1.42	22×50 1.78	25×40 1.70	30×30 1.55	35×25 1.40
390	22×55 1.96	25×45 1.88	30×35 1.77	35×30 1.66	22×60 2.03	25×45 1.88	30×35 1.76	35×30 1.64
470	22×60 2.17	25×50 2.09	30×40 1.99	35×35 1.90		25×55 2.18	30×40 1.97	35×35 1.87
560		25×55 2.30	30×45 2.20	35×40 2.13		25×60 2.39	30×45 2.18	35×35 1.89
680			30×50 2.43	35×40 2.17			30×50 2.40	35×40 2.12
820			30×55 2.65	35×45 2.39			30×60 2.76	35×50 2.53
1000				35×50 2.61				35×55 2.74
1200				35×60 3.01				

Cap(μF) Vdc φD	400				420			
	φ22	φ25	φ30	φ35	φ22	φ25	φ30	φ35
100					22×25 0.85			
120	22×25 0.91				22×30 0.97			
150	22×30 1.06	25×25 1.04			22×35 1.12	25×25 1.03		
180	22×35 1.21	25×30 1.19			22×40 1.26	25×30 1.19		
220	22×40 1.37	25×30 1.28	30×25 1.25		22×45 1.43	25×35 1.36	30×25 1.23	
270	22×45 1.56	25×35 1.47	30×30 1.45		22×50 1.61	25×40 1.55	30×30 1.44	35×25 1.32
330	22×55 1.81	25×40 1.66	30×30 1.55	35×25 1.36	22×60 1.86	25×45 1.74	30×35 1.64	35×30 1.55
390		25×50 1.93	30×35 1.72	35×30 1.61		25×55 2.00	30×40 1.83	35×35 1.76
470		25×55 2.14	30×40 1.93	35×35 1.83		25×60 2.20	30×45 2.04	35×35 1.80
560			30×45 2.13	35×40 2.04			30×50 2.24	35×40 2.07
680			30×55 2.48	35×45 2.26			30×60 2.57	35×50 2.43
820				35×50 2.47				35×55 2.60
1000				35×60 2.85				

Cap(μF) Vdc φD	450			
	φ22	φ25	φ30	φ35
100	22×25 0.85			
120	22×30 0.98	25×25 0.96		
150	22×35 1.13	25×30 1.12		
180	22×40 1.27	25×30 1.19	30×25 1.17	
220	22×45 1.44	25×35 1.37	30×30 1.36	35×25 1.27
270	22×55 1.68	25×45 1.62	30×30 1.43	35×30 1.48
330		25×50 1.82	30×40 1.75	35×30 1.53
390		25×55 2.00	30×45 1.93	35×35 1.74
470			30×50 2.14	35×40 1.95
560			30×55 2.36	35×45 2.16
680				35×50 2.41

↑ Ripple Current (A r.m.s./120Hz, 105°C)
Case Size φD×L(mm)