

KXF SERIES

105°C Low profile, Snap-in Terminal Type

◆FEATURES

- Load Life : 105°C 3000 hours, with 20mm height.
- Smaller size with higher ripple current endurance than AXF series.
- RoHS compliance.



◆SPECIFICATIONS

| Items | Characteristics | | | | | | | | |
|--------------------------------|--|--------------------|-----------------------------------|--------------------|--|------------------|------------------------------------|---|--|
| Category Temperature Range | -25~ +105°C | | | | | | | | |
| Rated Voltage Range | 160~450V.DC | | | | | | | | |
| Capacitance Tolerance | ±20% (20°C, 120Hz) | | | | | | | | |
| Leakage Current(MAX) | $I=3\sqrt{CV}$ (After 5 minutes application of rated voltage) I=Leakage Current(µA) C=Rated Capacitance(µF) V=Rated Voltage(V) | | | | | | | | |
| (tanδ) Dissipation Factor(MAX) | 0.20 (20°C, 120Hz) | | | | | | | | |
| Impedance Ratio(MAX) | <table border="1"> <tr> <td>Rated Voltage (V)</td> <td>160~250</td> <td>400~450</td> <td>(120Hz)</td> </tr> <tr> <td>Z(-25°C)/Z(20°C)</td> <td>3</td> <td>8</td> <td></td> </tr> </table> | Rated Voltage (V) | 160~250 | 400~450 | (120Hz) | Z(-25°C)/Z(20°C) | 3 | 8 | |
| Rated Voltage (V) | 160~250 | 400~450 | (120Hz) | | | | | | |
| Z(-25°C)/Z(20°C) | 3 | 8 | | | | | | | |
| Endurance | <p>After applying rated voltage with rated ripple current for 3000hrs at 105°C, the capacitors shall meet the following requirements.</p> <table border="1"> <tr> <td>Capacitance Change</td> <td>Within ±20% of the initial value.</td> </tr> <tr> <td>Dissipation Factor</td> <td>Not more than 200% of the specified value.</td> </tr> <tr> <td>Leakage Current</td> <td>Not more than the specified value.</td> </tr> </table> | Capacitance Change | Within ±20% of the initial value. | Dissipation Factor | Not more than 200% of the specified value. | Leakage Current | Not more than the specified value. | | |
| Capacitance Change | Within ±20% of the initial value. | | | | | | | | |
| Dissipation Factor | Not more than 200% of the specified value. | | | | | | | | |
| Leakage Current | Not more than the specified value. | | | | | | | | |

◆MULTIPLIER FOR RIPPLE CURRENT

Frequency coefficient

| Frequency (Hz) | 60(50) | 120 | 500 | 1k | 10k ≤ |
|----------------|--------|------|------|------|-------|
| Coefficient | 0.80 | 1.00 | 1.20 | 1.30 | 1.50 |
| | 0.80 | 1.00 | 1.20 | 1.25 | 1.40 |

◆PART NUMBER

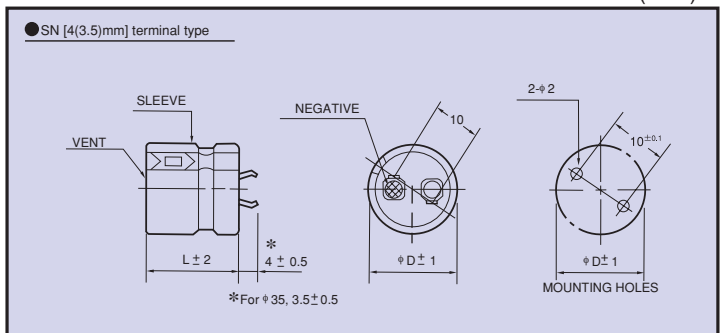
 KXF **SN** **DXL**
 Rated Voltage Series Rated Capacitance Capacitance Tolerance Option Terminal Code Case Size

◆Option

| | Code |
|--------------------------|-------|
| PET Sleeve without plate | EFC |
| PVC Sleeve without plate | OOE |
| PVC Sleeve with plate | Blank |

◆ DIMENSIONS

(mm)



◆ STANDARD SIZE

| Cap (μF) \ WV | 160 | | 180 | | 200 | | 220 | | 250 | |
|---------------|---------|------|---------|------|---------|------|---------|------|---------|------|
| 120 | | | | | | | | | 20 × 20 | 0.65 |
| 150 | | | | | | | 20 × 20 | 0.70 | 22 × 20 | 0.74 |
| 180 | | | 20 × 20 | 0.80 | 20 × 20 | 0.80 | 22 × 20 | 0.80 | 22 × 20 | 0.77 |
| 220 | 20 × 20 | 0.81 | 22 × 20 | 0.90 | 22 × 20 | 0.87 | 25 × 20 | 0.85 | 25 × 20 | 0.95 |
| 270 | 22 × 20 | 0.98 | 22 × 20 | 0.95 | 25 × 20 | 0.95 | 25 × 20 | 1.02 | 30 × 20 | 1.00 |
| 330 | 25 × 20 | 1.02 | 25 × 20 | 1.15 | 25 × 20 | 1.15 | 30 × 20 | 1.12 | 30 × 20 | 1.16 |
| 390 | 25 × 20 | 1.25 | 25 × 20 | 1.20 | 30 × 20 | 1.20 | 30 × 20 | 1.25 | 35 × 20 | 1.25 |
| 470 | 30 × 20 | 1.30 | 30 × 20 | 1.36 | 30 × 20 | 1.41 | 35 × 20 | 1.45 | | |
| 560 | 30 × 20 | 1.46 | 30 × 20 | 1.43 | 35 × 20 | 1.43 | | | | |
| 680 | 35 × 20 | 1.51 | 35 × 20 | 1.51 | | | | | | |
| 820 | 35 × 20 | 1.55 | | | | | | | | |

| Cap (μF) \ WV | 400 | | 420 | | 450 | |
|---------------|---------|------|---------|------|---------|------|
| 39 | | | | | 20 × 20 | 0.36 |
| 47 | 20 × 20 | 0.39 | 20 × 20 | 0.38 | 20 × 20 | 0.41 |
| 56 | 20 × 20 | 0.40 | 22 × 20 | 0.45 | 22 × 20 | 0.43 |
| 68 | 22 × 20 | 0.49 | 22 × 20 | 0.48 | 25 × 20 | 0.50 |
| 82 | 25 × 20 | 0.55 | 25 × 20 | 0.53 | 25 × 20 | 0.53 |
| 100 | 25 × 20 | 0.60 | 30 × 20 | 0.58 | 30 × 20 | 0.61 |
| 120 | 30 × 20 | 0.75 | 30 × 20 | 0.70 | 30 × 20 | 0.70 |
| 150 | 30 × 20 | 0.80 | 35 × 20 | 0.80 | 35 × 20 | 0.80 |
| 180 | 35 × 20 | 0.85 | | | | |

↑ Ripple Current (A r.m.s./120Hz, 105°C)
 ↑ Case Size φ D×L(mm)