

VXG SERIES

105°C 5000 hours Miniaturized, Snap-in Terminal Type

◆ FEATURES

- Load Life : 105°C 5000 hours.
- Smaller size with higher ripple current endurance than VXP series.
- RoHS compliance.



◆ SPECIFICATIONS

Items	Characteristics																									
Category Temperature Range	-40~+105°C	-25~+105°C																								
Rated Voltage Range	10~100V.DC	200~450V.DC																								
Capacitance Tolerance	±20% (20°C, 120Hz)																									
Leakage Current(MAX)	$I=3\sqrt{CV}$ (After 5 minutes application of rated voltage) I=Leakage Current(µA) C=Rated Capacitance(µF) V=Rated Voltage(V)																									
(tanδ) Dissipation Factor(MAX)	<table border="1"> <thead> <tr> <th>Rated Voltage (V)</th> <th>10</th> <th>16</th> <th>25</th> <th>35</th> <th>50</th> <th>63</th> <th>80</th> <th>100</th> <th>200~250</th> <th>400~450</th> <th>(20°C, 120Hz)</th> </tr> </thead> <tbody> <tr> <td>tan δ</td> <td>0.55</td> <td>0.50</td> <td>0.45</td> <td>0.40</td> <td>0.35</td> <td>0.30</td> <td>0.25</td> <td>0.20</td> <td>0.20</td> <td>0.20</td> <td></td> </tr> </tbody> </table>		Rated Voltage (V)	10	16	25	35	50	63	80	100	200~250	400~450	(20°C, 120Hz)	tan δ	0.55	0.50	0.45	0.40	0.35	0.30	0.25	0.20	0.20	0.20	
Rated Voltage (V)	10	16	25	35	50	63	80	100	200~250	400~450	(20°C, 120Hz)															
tan δ	0.55	0.50	0.45	0.40	0.35	0.30	0.25	0.20	0.20	0.20																
Low Temperature Stability Impedance Ratio(MAX)	<table border="1"> <thead> <tr> <th>Rated Voltage (V)</th> <th>10~100</th> <th>200~250</th> <th>400~450</th> <th>(120Hz)</th> </tr> </thead> <tbody> <tr> <td>Z(-25°C)/Z(20°C)</td> <td>3</td> <td>3</td> <td>8</td> <td></td> </tr> <tr> <td>Z(-40°C)/Z(20°C)</td> <td>12</td> <td>-</td> <td>-</td> <td></td> </tr> </tbody> </table>		Rated Voltage (V)	10~100	200~250	400~450	(120Hz)	Z(-25°C)/Z(20°C)	3	3	8		Z(-40°C)/Z(20°C)	12	-	-										
Rated Voltage (V)	10~100	200~250	400~450	(120Hz)																						
Z(-25°C)/Z(20°C)	3	3	8																							
Z(-40°C)/Z(20°C)	12	-	-																							
Endurance	After applying rated voltage with rated ripple current for 5000hrs at 105°C, the capacitors shall meet the following requirements. <table border="1"> <tbody> <tr> <td>Capacitance Change</td> <td>Within ±20% (For 10WV ; ±25%) of the initial value.</td> </tr> <tr> <td>Dissipation Factor</td> <td>Not more than 200% of the specified value.</td> </tr> <tr> <td>Leakage Current</td> <td>Not more than the specified value.</td> </tr> </tbody> </table>		Capacitance Change	Within ±20% (For 10WV ; ±25%) of the initial value.	Dissipation Factor	Not more than 200% of the specified value.	Leakage Current	Not more than the specified value.																		
Capacitance Change	Within ±20% (For 10WV ; ±25%) of the initial value.																									
Dissipation Factor	Not more than 200% of the specified value.																									
Leakage Current	Not more than the specified value.																									

◆ MULTIPLIER FOR RIPPLE CURRENT

Frequency coefficient

Frequency (Hz)	60(50)	120	500	1k	10k ≤
10~100WV	0.90	1.00	1.05	1.10	1.15
200~250WV	0.80	1.00	1.20	1.30	1.50
400~450WV	0.80	1.00	1.20	1.25	1.40

◆ OPTION

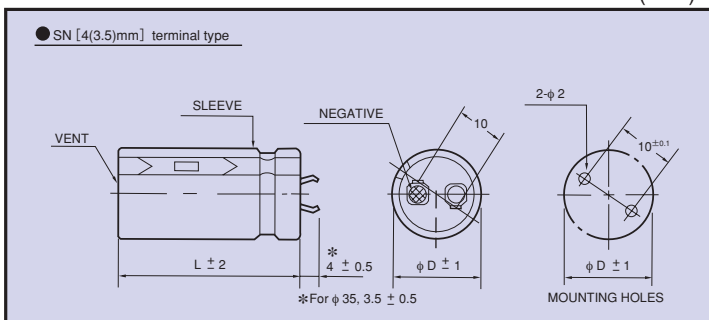
PET Sleeve without plate	Code EFC
--------------------------	-------------

◆ PART NUMBER

□□□ / VXG / □□□□□ / □ / □□□ / SN / DXL
 Rated Voltage Series Rated Capacitance Capacitance Tolerance Option Terminal Code Case Size

◆ DIMENSIONS

(mm)



◆ STANDARD SIZE

Cap (μ F)	WV ϕ D	10				16					
		ϕ 22	ϕ 25	ϕ 30	ϕ 35	ϕ 22	ϕ 25	ϕ 30	ϕ 35		
5600						22x25	1.44				
6800						22x30	1.66				
8200	22x25	1.36				22x30	1.79	25x25	1.67		
10000	22x30	1.65				22x35	2.08	25x30	2.07		
12000	22x35	1.85	25x25	1.82		22x40	2.36	25x35	2.37	30x25	2.13
15000	22x40	2.12	25x30	2.11	30x25	2.14					
18000	22x45	2.40	25x35	2.32	30x30	2.37					
22000			25x40	2.59	30x30	2.73					
27000			25x45	3.01	30x35	3.13	35x30	3.05			
33000			25x50	3.43	30x40	3.53	35x35	3.49			
39000					30x45	3.78	35x40	3.96			
47000					30x50	4.58	35x45	4.60			
56000						35x50	5.06				

Cap (μ F)	WV ϕ D	25				35							
		ϕ 22	ϕ 25	ϕ 30	ϕ 35	ϕ 22	ϕ 25	ϕ 30	ϕ 35				
2700						22x25	1.29						
3300						22x30	1.54						
3900	22x25	1.31				22x35	1.77	25x25	1.55				
4700	22x30	1.55				22x40	2.01	25x30	1.87				
5600	22x35	1.77	25x25	1.56		22x45	2.25	25x35	2.18	30x25	1.80		
6800	22x40	2.02	25x30	1.88		22x50	2.49	25x40	2.45	30x30	2.28		
8200	22x45	2.27	25x35	2.18	30x25	1.92							
10000	22x50	2.56	25x40	2.53	30x30	2.38				30x40	3.04	35x30	2.78
12000			25x45	2.79	30x35	2.70	35x30	2.76					
15000					30x40	3.13	35x30	3.00					
18000					30x45	3.52	35x35	3.50					
22000					30x50	3.92	35x40	3.95					
27000						35x50	4.72						

Cap (μ F)	WV ϕ D	50				63							
		ϕ 22	ϕ 25	ϕ 30	ϕ 35	ϕ 22	ϕ 25	ϕ 30	ϕ 35				
1000						22x25	1.10						
1200						22x30	1.17						
1500	22x25	1.21				22x35	1.41	25x25	1.38				
1800	22x25	1.28				22x40	1.62	25x30	1.63				
2200	22x30	1.52	25x25	1.46		22x45	1.85	25x35	1.75	30x25	1.66		
2700	22x35	1.77	25x30	1.76									
3300	22x40	2.02	25x30	1.87	30x25	1.72							
3900	22x45	2.27	25x35	2.20	30x30	2.09							
4700			25x40	2.43	30x30	2.22				30x40	2.82	35x35	2.77
5600			25x45	2.72	30x35	2.58	35x30	2.35					
6800					30x40	3.01	35x35	2.91					
8200					30x50	3.63	35x40	3.36					
10000						35x45	3.79						
12000						35x50	4.06						

Cap (μ F)	WV ϕ D	80				100							
		ϕ 22	ϕ 25	ϕ 30	ϕ 35	ϕ 22	ϕ 25	ϕ 30	ϕ 35				
560						22x25	1.01						
680						22x30	1.19						
820	22x25	1.09				22x35	1.33	25x25	1.26				
1000	22x30	1.29				22x40	1.56	25x30	1.52	30x25	1.47		
1200	22x35	1.48	25x25	1.32		22x45	1.76	25x35	1.76	30x30	1.76		
1500	22x40	1.70	25x30	1.74	30x25	1.58							
1800	22x45	1.91	25x35	1.86	30x25	1.68							
2200			25x45	2.22	30x30	2.02				30x40	2.52	35x35	2.48
2700					30x35	2.50	35x30	2.18					
3300					30x40	2.69	35x35	2.60					
3900					30x45	2.94	35x40	3.00					
4700						35x45	3.44						
5600						35x50	3.72						

↑ Ripple Current (A r.m.s./120Hz, 105°C)
 ↑ Case Size ϕ D x L (mm)

◆ STANDARD SIZE

Cap (μ F)	WV ϕ D	200				220								
		ϕ 22	ϕ 25	ϕ 30	ϕ 35	ϕ 22	ϕ 25	ϕ 30	ϕ 35					
270	22×25	1.09				22×25	1.04							
330	22×30	1.31				22×30	1.26							
390	22×30	1.32	25×25	1.27		22×35	1.47	25×25	1.21					
470	22×35	1.54	25×30	1.54		22×40	1.64	25×30	1.47					
560	22×40	1.75	25×30	1.54		22×45	1.86	25×35	1.71	30×25	1.41			
680	22×45	1.96	25×35	1.79	30×25	1.46	22×50	2.05	25×40	1.94	30×30	1.71	35×25	1.54
820	22×50	2.15	25×40	2.03	30×30	1.77	35×25	1.59	25×45	2.16	30×35	1.99	35×30	1.89
1000			25×45	2.26	30×35	2.06	35×30	1.93	25×50	2.37	30×40	2.26	35×35	2.15
1200					30×40	2.34	35×35	2.22			30×45	2.51	35×40	2.48
1500					30×45	2.60	35×40	2.56			30×50	2.75	35×40	2.50
1800							35×45	2.85					35×50	3.04
2200							35×50	3.14						

Cap (μ F)	WV ϕ D	250				400							
		ϕ 22	ϕ 25	ϕ 30	ϕ 35	ϕ 22	ϕ 25	ϕ 30	ϕ 35				
82						22×25	0.64						
100						22×30	0.74						
120						22×30	0.79	25×25	0.79				
150						22×35	0.92	25×30	0.95				
180						22×40	1.05	25×35	1.10	30×25	0.97		
220	22×25	0.97				22×50	1.28	25×35	1.12	30×30	1.17	35×25	1.10
270	22×30	1.18						25×45	1.40	30×35	1.36	35×30	1.33
330	22×35	1.37	25×25	1.14				25×50	1.55	30×40	1.55	35×30	1.35
390	22×40	1.56	25×30	1.38						30×45	1.72	35×35	1.53
470	22×45	1.74	25×35	1.61	30×25	1.34				30×50	1.89	35×40	1.78
560	22×50	1.92	25×40	1.83	30×30	1.63	35×25	1.48				35×45	1.98
680			25×45	2.04	30×35	1.90	35×30	1.80				35×50	2.19
820			25×50	2.24	30×40	2.15	35×30	1.81					
1000					30×45	2.39	35×35	2.38					
1200					30×50	2.62	35×40	2.39					
1500							35×50	2.92					

Cap (μ F)	WV ϕ D	420				450								
		ϕ 22	ϕ 25	ϕ 30	ϕ 35	ϕ 22	ϕ 25	ϕ 30	ϕ 35					
82	22×25	0.61				22×25	0.60							
100	22×30	0.74				22×30	0.73	25×25	0.72					
120	22×35	0.86	25×25	0.75		22×35	0.84	25×30	0.87					
150	22×40	0.98	25×30	0.90		22×40	0.97	25×30	0.89	30×25	0.90			
180	22×45	1.09	25×35	1.05	30×25	0.93	22×45	1.08	25×35	1.03	30×30	1.08		
220	22×50	1.21	25×40	1.19	30×30	1.12	35×25	1.05	25×40	1.17	30×30	1.10	35×25	1.04
270			25×45	1.34	30×35	1.30	35×30	1.27	25×50	1.43	30×35	1.28	35×30	1.25
330					30×40	1.47	35×35	1.45			30×45	1.45	35×35	1.43
390					30×45	1.64	35×40	1.68			30×50	1.75	35×40	1.66
470					30×50	1.81	35×40	1.71					35×45	1.85
560							35×50	2.07					35×50	2.04

↑ Ripple Current (A r.m.s./120Hz, 105°C)
 ↑ Case Size ϕ DXL(mm)