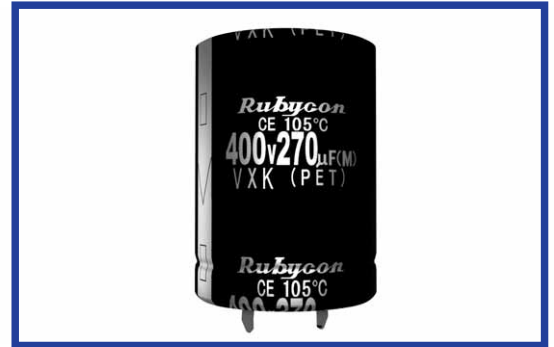


VXK SERIES

105°C 5000 hours, Ultra Miniaturized

*Load Life : 105°C 5000 hours.

RoHS compliance



◆SPECIFICATIONS

Items	Characteristics						
Category Temperature Range	-25~+105°C						
Rated Voltage Range	400~450Vdc						
Capacitance Tolerance	±20% (20°C, 120Hz)						
Leakage Current(MAX)	$I=3\sqrt{CV}$ (After 5 minutes application of rated voltage) I =Leakage Current(μ A) C =Capacitance(μ F) V =Rated Voltage(Vdc)						
Dissipation Factor(MAX) (tan δ)	0.2 (20°C, 120Hz)						
Endurance	After applying rated voltage with rated ripple current for 5000 hours at 105°C, the capacitors shall meet the following requirements. <table border="1" style="margin-left: 20px;"> <tr> <td>Capacitance Change</td> <td>Within ±20% of the initial value.</td> </tr> <tr> <td>Dissipation Factor</td> <td>Not more than 200% of the specified value.</td> </tr> <tr> <td>Leakage Current</td> <td>Not more than the specified value.</td> </tr> </table>	Capacitance Change	Within ±20% of the initial value.	Dissipation Factor	Not more than 200% of the specified value.	Leakage Current	Not more than the specified value.
Capacitance Change	Within ±20% of the initial value.						
Dissipation Factor	Not more than 200% of the specified value.						
Leakage Current	Not more than the specified value.						
Low Temperature Stability Impedance Ratio(MAX)	<table border="1" style="margin-left: 20px;"> <tr> <td>Rated Voltage (Vdc)</td> <td>400~450</td> <td>(120Hz)</td> </tr> <tr> <td>Z(-25°C)/Z(20°C)</td> <td>8</td> <td></td> </tr> </table>	Rated Voltage (Vdc)	400~450	(120Hz)	Z(-25°C)/Z(20°C)	8	
Rated Voltage (Vdc)	400~450	(120Hz)					
Z(-25°C)/Z(20°C)	8						

◆MULTIPLIER FOR RIPPLE CURRENT

Frequency (Hz)	60(50)	120(100)	300	500	1k	10k \leq
Coefficient	0.80	1.00	1.15	1.20	1.25	1.40

◆OPTION

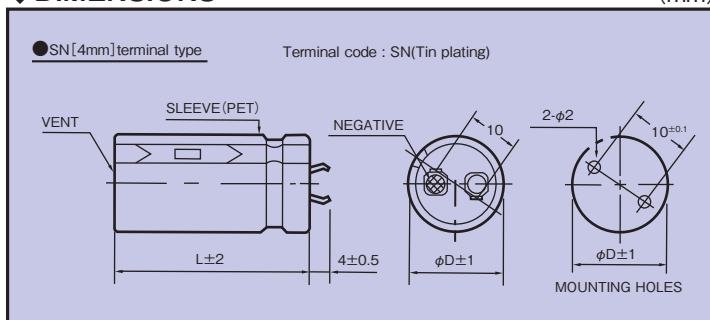
	Code
PET Sleeve without plate	EFC

◆PART NUMBER

□□□ / **VXK** / □□□□□ / **M** / □□□ / **SN** / **DxL**
 Rated Voltage Series Capacitance Capacitance Tolerance Option Terminal Code Case Size

◆DIMENSIONS

(mm)



◆ STANDARD SIZE

Cap(μF)	Vdc		400							
	φD		φ22		φ25		φ30		φ35	
150			22×25	1.01						
180			22×30	1.17	25×25	1.13				
220			22×35	1.33	25×30	1.31				
270			22×40	1.52	25×35	1.50	30×25	1.33		
330			22×50	1.78	25×40	1.70	30×30	1.55		
390			22×55	1.97	25×45	1.89	30×30	1.60	35×25	1.43
470					25×50	2.10	30×35	1.82	35×30	1.68
560					25×55	2.31	30×40	2.04	35×35	1.92
680							30×50	2.42	35×40	2.15
820							30×55	2.64	35×45	2.37
1000									35×50	2.58
1200									35×60	2.95

Cap(μF)	Vdc		420							
	φD		φ22		φ25		φ30		φ35	
120			22×25	0.92						
150			22×30	1.08						
180			22×35	1.23	25×25	1.12				
220			22×40	1.40	25×30	1.30				
270			22×45	1.58	25×35	1.49	30×25	1.32		
330			22×50	1.78	25×40	1.69	30×30	1.54	35×25	1.40
390			22×60	2.02	25×45	1.88	30×35	1.75	35×30	1.64
470					25×55	2.17	30×40	1.96	35×35	1.85
560							30×50	2.29	35×40	2.07
680							30×55	2.51	35×45	2.29
820									35×50	2.50
1000									35×60	2.89

Cap(μF)	Vdc		450							
	φD		φ22		φ25		φ30		φ35	
120			22×25	0.93						
150			22×30	1.09	25×25	1.06				
180			22×35	1.24	25×30	1.22				
220			22×40	1.41	25×35	1.39	30×25	1.26		
270			22×50	1.65	25×40	1.58	30×30	1.46	35×25	1.35
330			22×55	1.85	25×45	1.78	30×35	1.67	35×30	1.58
390					25×50	1.97	30×40	1.87	35×30	1.61
470					25×60	2.26	30×45	2.08	35×35	1.84
560							30×50	2.29	35×40	2.06
680							30×60	2.63	35×45	2.28
820									35×55	2.66

↑ Ripple Current (A r.m.s./120Hz, 105°C)
 ↑ Case Size φD×L(mm)