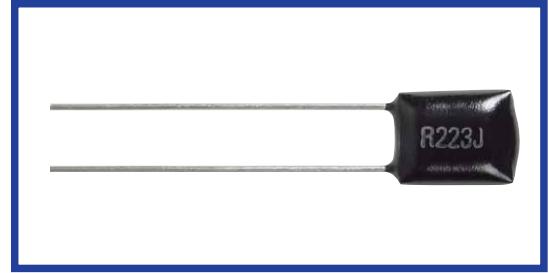


**H2D SERIES**

**Foil Winding Type : Heat-resisting**

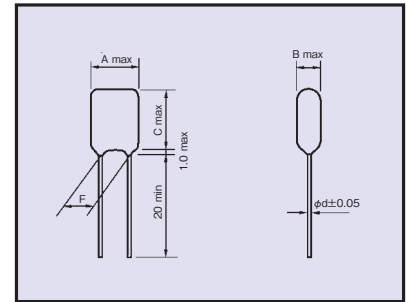
- It is a film capacitor with a polyphenylene sulfide film used for the rated temperature of 125°C.
- It has excellent temperature characteristics.



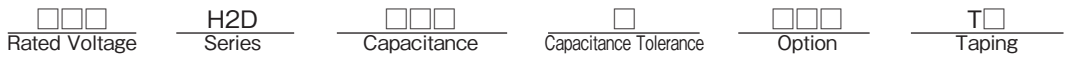
**◆ SPECIFICATIONS**

Category Temperature Range	-55°C~+125°C
Rated Voltage (Ur)	50Vdc, 100Vdc
Capacitance Tolerance	C<0.001μF:±3%(H), ±5%(J) C≥0.001μF:±2%(G), ±3%(H), ±5%(J)
tanδ	C≤0.33μF:0.003max C>0.33μF:0.005max at 1kHz
Voltage Proof	Ur×200% 60s
Insulation Resistance	30000MΩmin
Reference Standard	JIS C 5101-1

**◆ DIMENSIONS** (mm)



**◆ PART NUMBER**



**◆ STANDARD SIZE**

□:Capacitance Tolerance \*\*:Taping

Rated Voltage	Cap(μF)	Dimensions (mm)						Typical Packaging Quantity (pcs)						Part No.	
		A	B	C	F	*LS±0.5	d	Long Lead type		Taping Ammo Pack Type - Style					
								Bag	Carton	TV	TF	—	—	TS	
50 Vdc	0.00047	6.0	3.5	8.5	3.5±0.5	5.0	0.5	200	10,000	3,000	—	—	—	3,000	50H2D471□**
	0.00056	6.0	3.5	8.5	3.5±0.5	5.0	0.5	200	10,000	3,000	—	—	—	3,000	50H2D561□**
	0.00068	6.0	3.5	8.5	3.5±0.5	5.0	0.5	200	10,000	3,000	—	—	—	3,000	50H2D681□**
	0.00082	6.0	3.5	8.5	3.5±0.5	5.0	0.5	200	10,000	3,000	—	—	—	3,000	50H2D821□**
	0.001	6.0	3.5	8.5	3.5±0.5	5.0	0.5	200	10,000	3,000	—	—	—	3,000	50H2D102□**
	0.0012	6.0	3.5	8.5	3.5±0.5	5.0	0.5	200	10,000	3,000	—	—	—	3,000	50H2D122□**
	0.0015	6.5	3.5	8.5	3.5±0.5	5.0	0.5	200	10,000	3,000	—	—	—	3,000	50H2D152□**
	0.0018	6.5	3.5	8.5	3.5±0.5	5.0	0.5	200	10,000	3,000	—	—	—	3,000	50H2D182□**
	0.0022	6.5	3.5	8.5	3.5±0.5	5.0	0.5	200	10,000	3,000	—	—	—	3,000	50H2D222□**
	0.0027	6.5	3.5	8.5	3.5±0.5	5.0	0.5	200	10,000	3,000	—	—	—	3,000	50H2D272□**
	0.0033	6.5	3.5	8.5	3.5±0.5	5.0	0.5	200	10,000	2,500	—	—	—	2,500	50H2D332□**
	0.0039	6.5	3.5	8.5	3.5±0.5	5.0	0.5	200	10,000	2,500	—	—	—	2,500	50H2D392□**
	0.0047	6.5	3.5	8.5	3.5±0.5	5.0	0.5	200	10,000	2,500	—	—	—	2,500	50H2D472□**
	0.0056	6.5	3.5	8.5	3.5±0.5	5.0	0.5	200	10,000	2,500	—	—	—	2,500	50H2D562□**
	0.0068	7.0	4.0	8.0	3.5±0.5	5.0	0.5	200	10,000	2,500	—	—	—	2,500	50H2D682□**
	0.0082	7.0	4.0	8.0	3.5±0.5	5.0	0.5	200	10,000	2,500	—	—	—	2,500	50H2D822□**
	0.01	7.0	4.0	8.0	3.5±0.5	5.0	0.5	200	8,000	2,500	—	—	—	2,500	50H2D103□**
	0.012	7.0	4.0	8.0	3.5±0.5	5.0	0.5	200	8,000	2,000	—	—	—	2,000	50H2D123□**
	0.015	7.0	4.5	9.0	3.5±0.5	5.0	0.5	200	8,000	2,000	—	—	—	2,000	50H2D153□**
	0.018	7.0	4.5	9.0	3.5±0.5	5.0	0.5	200	8,000	2,000	—	—	—	2,000	50H2D183□**
	0.022	7.5	5.0	9.5	3.5±0.5	5.0	0.5	200	8,000	2,000	—	—	—	2,000	50H2D223□**
	0.027	7.5	5.0	9.5	3.5±0.5	5.0	0.5	200	5,000	2,000	—	—	—	2,000	50H2D273□**
	0.033	8.5	5.5	10.0	3.5±0.5	5.0	0.5	200	5,000	2,000	—	—	—	2,000	50H2D333□**
	0.039	8.5	5.5	10.0	5.0±1.0	5.0	0.5	200	5,000	1,500	—	—	—	1,500	50H2D393□**
	0.047	9.0	5.5	10.0	5.0±1.0	5.0	0.5	200	4,000	1,500	—	—	—	1,500	50H2D473□**
	0.056	9.0	6.0	11.0	5.0±1.0	5.0	0.5	200	4,000	1,500	—	—	—	1,500	50H2D563□**
	0.068	9.0	6.0	11.0	5.0±1.0	5.0	0.5	200	4,000	1,500	—	—	—	1,500	50H2D683□**
	0.082	10.0	7.5	12.0	5.0±1.0	5.0	0.5	200	3,000	1,000	—	—	—	1,000	50H2D823□**
0.1	10.5	8.0	12.0	5.0±1.0	5.0	0.5	200	3,000	1,000	—	—	—	1,000	50H2D104□**	
0.12	11.0	8.0	12.5	5.0±1.0	5.0	0.5	200	3,000	—	—	—	—	—	50H2D124□**	
0.15	12.0	8.5	12.5	5.0±1.0	5.0	0.5	200	2,000	—	—	—	—	—	50H2D154□**	
0.18	12.5	9.0	12.5	7.5±1.0	5.0	0.5	200	2,000	—	—	—	—	—	50H2D184□**	
0.22	13.0	9.5	14.5	7.5±1.0	5.0	0.5	200	2,000	—	—	—	—	—	50H2D224□**	
0.27	13.5	9.5	16.0	7.5±1.0	5.0	0.6	200	2,000	—	—	—	—	—	50H2D274□**	
0.33	15.0	10.0	16.0	7.5±1.0	5.0	0.6	100	1,500	—	—	—	—	—	50H2D334□**	
0.39	15.5	11.5	16.5	7.5±1.0	5.0	0.6	100	1,000	—	—	—	—	—	50H2D394□**	
0.47	16.5	12.5	17.0	7.5±1.0	5.0	0.6	100	1,000	—	—	—	—	—	50H2D474□**	

※LS:Please refer to Taping specification section.

◆ STANDARD SIZE

□:Capacitance Tolerance \*\*:Taping

Rated Voltage	Cap(μF)	Dimensions (mm)						Typical Packaging Quantity (pcs)							Part No.
								Long Lead type		Taping Ammo Pack Type - Style					
		A	B	C	F	*LS±0.5	d	Bag	Carton	TV	TF	—	—	TS	
100 Vdc	0.00047	6.0	3.5	8.5	3.5±0.5	5.0	0.5	200	10,000	3,000	—	—	—	3,000	100H2D471□**
	0.00056	6.0	3.5	8.5	3.5±0.5	5.0	0.5	200	10,000	3,000	—	—	—	3,000	100H2D561□**
	0.00068	6.0	3.5	8.5	3.5±0.5	5.0	0.5	200	10,000	3,000	—	—	—	3,000	100H2D681□**
	0.00082	6.0	3.5	8.5	3.5±0.5	5.0	0.5	200	10,000	3,000	—	—	—	3,000	100H2D821□**
	0.001	6.0	3.5	8.5	3.5±0.5	5.0	0.5	200	10,000	3,000	—	—	—	3,000	100H2D102□**
	0.0012	6.0	3.5	8.5	3.5±0.5	5.0	0.5	200	10,000	3,000	—	—	—	3,000	100H2D122□**
	0.0015	6.5	3.5	8.5	3.5±0.5	5.0	0.5	200	10,000	3,000	—	—	—	3,000	100H2D152□**
	0.0018	6.5	3.5	8.5	3.5±0.5	5.0	0.5	200	10,000	3,000	—	—	—	3,000	100H2D182□**
	0.0022	6.5	3.5	8.5	3.5±0.5	5.0	0.5	200	10,000	3,000	—	—	—	3,000	100H2D222□**
	0.0027	6.5	3.5	8.5	3.5±0.5	5.0	0.5	200	10,000	3,000	—	—	—	3,000	100H2D272□**
	0.0033	6.5	4.0	8.5	3.5±0.5	5.0	0.5	200	10,000	2,500	—	—	—	2,500	100H2D332□**
	0.0039	6.5	4.0	8.5	3.5±0.5	5.0	0.5	200	10,000	2,500	—	—	—	2,500	100H2D392□**
	0.0047	6.5	4.0	8.5	3.5±0.5	5.0	0.5	200	10,000	2,500	—	—	—	2,500	100H2D472□**
	0.0056	6.5	4.0	8.5	3.5±0.5	5.0	0.5	200	10,000	2,500	—	—	—	2,500	100H2D562□**
	0.0068	7.5	4.0	10.0	5.0±1.0	5.0	0.5	200	8,000	2,000	—	—	—	2,000	100H2D682□**
	0.0082	8.0	4.0	10.0	5.0±1.0	5.0	0.5	200	8,000	2,000	—	—	—	2,000	100H2D822□**
	0.01	8.0	4.0	10.5	5.0±1.0	5.0	0.5	200	8,000	2,000	—	—	—	2,000	100H2D103□**
	0.012	8.0	4.0	10.5	5.0±1.0	5.0	0.5	200	8,000	2,000	—	—	—	2,000	100H2D123□**
	0.015	8.5	4.5	11.0	5.0±1.0	5.0	0.5	200	6,000	1,500	—	—	—	1,500	100H2D153□**
	0.018	8.5	4.5	11.0	5.0±1.0	5.0	0.5	200	6,000	1,500	—	—	—	1,500	100H2D183□**
	0.022	8.5	4.5	12.0	5.0±1.0	5.0	0.5	200	6,000	1,500	—	—	—	1,500	100H2D223□**
	0.027	8.5	4.5	12.0	5.0±1.0	5.0	0.5	200	6,000	1,500	—	—	—	1,500	100H2D273□**
	0.033	9.0	5.0	12.5	5.0±1.0	5.0	0.5	200	6,000	1,500	—	—	—	1,500	100H2D333□**
	0.039	9.0	5.0	12.5	5.0±1.0	5.0	0.5	200	6,000	1,500	—	—	—	1,500	100H2D393□**
	0.047	9.5	5.5	13.0	5.0±1.0	5.0	0.5	200	5,000	1,500	—	—	—	1,500	100H2D473□**
	0.056	10.0	6.0	13.0	5.0±1.0	5.0	0.5	200	4,000	1,000	—	—	—	1,000	100H2D563□**
	0.068	10.5	6.5	13.0	5.0±1.0	5.0	0.5	200	4,000	1,000	—	—	—	1,000	100H2D683□**
	0.082	10.5	7.0	13.5	7.5±1.5	5.0	0.5	200	4,000	—	500	—	—	—	100H2D823□**
0.1	11.5	7.5	14.0	7.5±1.5	5.0	0.5	100	3,000	—	500	—	—	—	100H2D104□**	
0.12	12.0	7.5	16.0	7.5±1.5	5.0	0.6	100	2,000	—	—	—	—	—	100H2D124□**	
0.15	12.5	7.5	17.0	7.5±1.5	5.0	0.6	100	2,000	—	—	—	—	—	100H2D154□**	
0.18	13.0	8.0	17.0	7.5±1.5	5.0	0.6	100	2,000	—	—	—	—	—	100H2D184□**	
0.22	14.0	9.0	17.0	7.5±1.5	5.0	0.6	100	1,000	—	—	—	—	—	100H2D224□**	