

MPCA SERIES

UPGRADE

For AC line, Rectangular Type

- For electrical equipment.
- Reliability is excellent because these capacitors provide self-healing.
- High isolation and low loss of polypropylene film used.

RoHS compliance

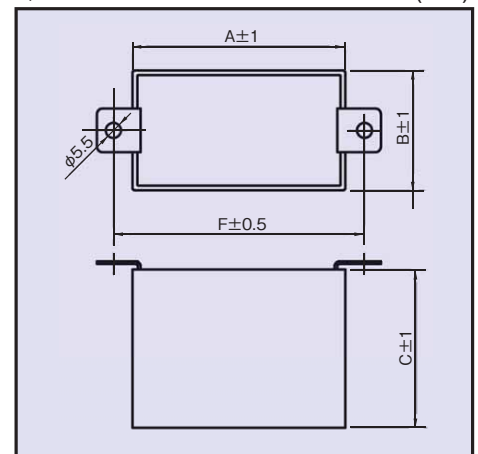


◆SPECIFICATIONS

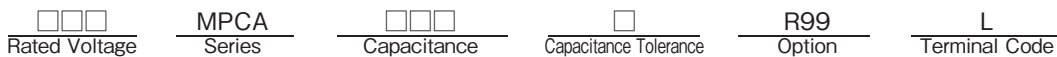
Category Temperature Range	-25°C~+70°C
Rated Voltage	220Vac, 250Vac(275Vac), 300Vac, 500Vac(480Vac)
Capacitance	1μF~100μF
Capacitance Tolerance	±5%(J), ±10%(K)
tanδ	0.003max (1kHz 25°C±5°C)
Voltage Proof	Between the terminals : Rated Voltage x 1.75 10s
	Between the terminal and case : 2000Vac 10s
Insulation Resistance	6000ΩFmin (20°C 120s 500Vdc)
Case	PBT·PPS Resin
Filling Resin	Epoxy Resin
Reference Standard	JIS C 4908

◆DIMENSIONS

(mm)



◆PART NUMBER



◆STANDARD SIZE

□:Capacitance Tolerance

Rated Voltage	Cap(μF)	Cap Tolerance(%)	Dimensions (mm)				Part No.
			A	B	C	F	
220 Vac	1	J (±5%) K (±10%)	37	15	29	52	220MPCA105□R99L
	2		37	15	29	52	220MPCA205□R99L
	3		37	15	29	52	220MPCA305□R99L
	4		37	15	29	52	220MPCA405□R99L
	5		37	19	32.5	52	220MPCA505□R99L
	6		37	19	32.5	52	220MPCA605□R99L
	7		48	18	30	62	220MPCA705□R99L
	8		48	18	30	62	220MPCA805□R99L
	9		48	18	30	62	220MPCA905□R99L
	10		48	22	35	62	220MPCA106□R99L
	12	48	22	35	62	220MPCA126□R99L	
	14	48	24	38	62	220MPCA146□R99L	
	16	58	26	40	72	220MPCA166□R99L	
	18	58	26	40	72	220MPCA186□R99L	
	20	58	26	40	72	220MPCA206□R99L	
	30	58	34	49	72	220MPCA306□R99L	
	40	58	34	49	72	220MPCA406□R99L	
	50	78	44	58	92	220MPCA506□R99L	
	60	78	44	58	92	220MPCA606□R99L	
	70	78	44	58	92	220MPCA706□R99L	
80	78	44	58	92	220MPCA806□R99L		
90	78	44	58	92	220MPCA906□R99L		
100	78	44	58	92	220MPCA107□R99L		

**◆STANDARD SIZE**

□:Capacitance Tolerance

Rated Voltage	Cap(μF)	Cap Tolerance(%)	Dimensions (mm)				Part No.
			A	B	C	F	
250 (275) Vac	1	J (±5%) K (±10%)	37	15	29	52	250MPCA105□R99L
	2		37	15	29	52	250MPCA205□R99L
	3		37	19	32.5	52	250MPCA305□R99L
	4		37	19	32.5	52	250MPCA405□R99L
	5		48	18	30	62	250MPCA505□R99L
	6		48	22	35	62	250MPCA605□R99L
	7		48	22	35	62	250MPCA705□R99L
	8		48	24	38	62	250MPCA805□R99L
	9		48	24	38	62	250MPCA905□R99L
	10		58	26	40	72	250MPCA106□R99L
	12		58	26	40	72	250MPCA126□R99L
	14		58	26	40	72	250MPCA146□R99L
	16		58	30	44	72	250MPCA166□R99L
	18		58	30	44	72	250MPCA186□R99L
	20		58	30	44	72	250MPCA206□R99L
30	78	44	58	92	250MPCA306□R99L		
40	78	44	58	92	250MPCA406□R99L		
50	78	44	58	92	250MPCA506□R99L		
300 Vac	1	J (±5%) K (±10%)	37	19	32.5	52	300MPCA105□R99L
	2		48	22	35	62	300MPCA205□R99L
	3		48	24	38	62	300MPCA305□R99L
	4		48	24	38	62	300MPCA405□R99L
	5		58	26	40	72	300MPCA505□R99L
	6		58	26	40	72	300MPCA605□R99L
	7		58	30	44	72	300MPCA705□R99L
	8		58	30	44	72	300MPCA805□R99L
	9		58	30	44	72	300MPCA905□R99L
	10		58	30	44	72	300MPCA106□R99L
	12		58	30	44	72	300MPCA126□R99L
	14		58	34	49	72	300MPCA146□R99L
	16		58	34	49	72	300MPCA166□R99L
	18		78	44	58	92	300MPCA186□R99L
	20		78	44	58	92	300MPCA206□R99L
30	78	44	58	92	300MPCA306□R99L		
500 (480) Vac	1	J (±5%) K (±10%)	37	19	32.5	52	500MPCA105□R99L
	2		48	22	35	62	500MPCA205□R99L
	3		58	26	40	72	500MPCA305□R99L
	4		58	26	40	72	500MPCA405□R99L
	5		58	30	44	72	500MPCA505□R99L
	6		58	30	44	72	500MPCA605□R99L
	7		58	34	49	72	500MPCA705□R99L
	8		58	34	49	72	500MPCA805□R99L
	9		78	44	58	92	500MPCA905□R99L
	10		78	44	58	92	500MPCA106□R99L
	12		78	44	58	92	500MPCA126□R99L

•Voltage in brackets is also available.

•Different capacitance and rated voltage item is available. For details, please consult our sales offices.

•Custom terminal examples  
([http://www.rubycon.co.jp/catalog/j\\_pdfs/film/j\\_MPCA\\_custom.pdf](http://www.rubycon.co.jp/catalog/j_pdfs/film/j_MPCA_custom.pdf))
