



MINIATURE ALUMINUM ELECTROLYTIC CAPACITORS

RKV

RKV SERIES

Previous Series

105°C Standard, 5.5mm MAX Height.

◆ FEATURES

- Load Life : 105°C 1000 hours.
- Reflow soldering is available.
- Available for high density mounting.



◆ SPECIFICATIONS

Items	Characteristics																					
Operating Temperature Range	-55~+105°C																					
Rated Voltage Range	6.3~50V.DC																					
Capacitance Tolerance	±20%(20°C, 120Hz)																					
Leakage Current(MAX)	I=0.01CV or 3μA whichever is greater. (After 2 minutes application of rated voltage) I=Leakage Current(μA) C=Nominal Capacitance(μF) V=Rated Voltage(V)																					
Dissipation Factor(MAX)	<table border="1"> <thead> <tr> <th>Rated Voltage (V)</th> <th>6.3</th> <th>10</th> <th>16</th> <th>25</th> <th>35</th> <th>50</th> </tr> </thead> <tbody> <tr> <td>tanδ</td> <td>0.30</td> <td>0.24</td> <td>0.20</td> <td>0.16</td> <td>0.14</td> <td>0.14</td> </tr> </tbody> </table> (20°C, 120Hz)	Rated Voltage (V)	6.3	10	16	25	35	50	tanδ	0.30	0.24	0.20	0.16	0.14	0.14							
Rated Voltage (V)	6.3	10	16	25	35	50																
tanδ	0.30	0.24	0.20	0.16	0.14	0.14																
Load Life	After applying rated voltage with max ripple current for 1000 hrs at 105°C, the capacitors shall meet the following requirements. <table border="1"> <tbody> <tr> <td>Capacitance Change</td> <td>Within ±30% of the initial value.</td> </tr> <tr> <td>Dissipation Factor</td> <td>Not more than 300% of the specified value.</td> </tr> <tr> <td>Leakage Current</td> <td>Not more than the specified value.</td> </tr> </tbody> </table>	Capacitance Change	Within ±30% of the initial value.	Dissipation Factor	Not more than 300% of the specified value.	Leakage Current	Not more than the specified value.															
Capacitance Change	Within ±30% of the initial value.																					
Dissipation Factor	Not more than 300% of the specified value.																					
Leakage Current	Not more than the specified value.																					
Low Temperature Stability Impedance Ratio(MAX)	<table border="1"> <thead> <tr> <th>Rated Voltage (V)</th> <th>6.3</th> <th>10</th> <th>16</th> <th>25</th> <th>35</th> <th>50</th> </tr> </thead> <tbody> <tr> <td>Z(-25°C)/Z(20°C)</td> <td>4</td> <td>3</td> <td>2</td> <td>2</td> <td>2</td> <td>2</td> </tr> <tr> <td>Z(-40°C)/Z(20°C)</td> <td>8</td> <td>8</td> <td>4</td> <td>4</td> <td>3</td> <td>3</td> </tr> </tbody> </table> (120Hz)	Rated Voltage (V)	6.3	10	16	25	35	50	Z(-25°C)/Z(20°C)	4	3	2	2	2	2	Z(-40°C)/Z(20°C)	8	8	4	4	3	3
Rated Voltage (V)	6.3	10	16	25	35	50																
Z(-25°C)/Z(20°C)	4	3	2	2	2	2																
Z(-40°C)/Z(20°C)	8	8	4	4	3	3																

◆ MULTIPLIER FOR RIPPLE CURRENT

(1) Frequency coefficient

Frequency(Hz)	60(50)	120	500	1k	10k≤	
Coefficient	0.1~47μF	0.8	1.0	1.20	1.30	1.50
	100μF	0.8	1.0	1.10	1.15	1.20

(2) Temperature coefficient

Ambient Temperature (°C)	105	85	65≥
Coefficient	1.0	1.7	2.1

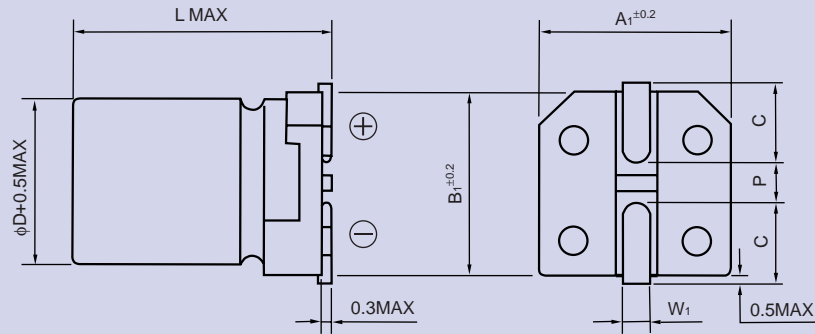


MINIATURE ALUMINUM ELECTROLYTIC CAPACITORS

RKV

◆ **DIMENSIONS**

(mm)



ϕD	L	A ₁	B ₁	C	W ₁	P
4	5.5	4.3	4.3	1.8	0.5~0.8	1.0
5	5.5	5.3	5.3	2.1	0.5~0.8	1.4
6.3	5.5	6.6	6.6	2.5	0.5~0.8	2.0

◆ **STANDARD SIZE, MAX. PERMISSIBLE RIPPLE CURRENT**

Size $\phi D \times L$ (mm), Ripple Current (mA r.m.s./105°C, 120Hz)

WV(V.DC) Cap(μF)	6.3 (0J)		10 (1A)		16 (1C)		25 (1E)		35 (1V)		50 (1H)	
	Size	Ripple	Size	Ripple	Size	Ripple	Size	Ripple	Size	Ripple	Size	Ripple
0.1											4x5.5	1.0
0.22											4x5.5	2.0
0.33											4x5.5	3.0
0.47											4x5.5	4.0
1											4x5.5	8.0
2.2											4x5.5	11
3.3											4x5.5	13
4.7									4x5.5	14	5x5.5	18
10					4x5.5	20			5x5.5	24	6.3x5.5	28
22	4x5.5	23			5x5.5	31			6.3x5.5	46		
33			5x5.5	34			6.3x5.5	48				
47	5x5.5	37			6.3x5.5	56						
100	6.3x5.5	57										