

Rubycon LARGE CAN TYPE ALUMINUM ELECTROLYTIC CAPACITORS **SXR**

SXR SERIES

Previous Series

105°C , Overvoltage Vent Operation Facility, Snap-in Terminal Type

◆ FEATURES

- Load Life : 105°C 2000 hours.
- This series has specification of vent operation in overvoltage situation. Please consult us for any further details.
- RoHS compliance.



◆ SPECIFICATIONS

| Items | Characteristics | | | | | | | | |
|--------------------------------|--|--------------------|-----------------------------------|--------------------|--|------------------|------------------------------------|---|--|
| Category Temperature Range | -25~ +105°C | | | | | | | | |
| Rated Voltage Range | 250, 450V.DC | | | | | | | | |
| Capacitance Tolerance | ±20% (20°C, 120Hz) | | | | | | | | |
| Leakage Current(MAX) | $I=3\sqrt{CV}$ (After 5 minutes application of rated voltage) I=Leakage Current(µA) C=Rated Capacitance(µF) V=Rated Voltage(V) | | | | | | | | |
| (tanδ) Dissipation Factor(MAX) | 0.20(20°C, 120Hz) | | | | | | | | |
| Impedance Ratio(MAX) | <table border="1"> <tr> <td>Rated Voltage (V)</td> <td>250</td> <td>450</td> <td>(120Hz)</td> </tr> <tr> <td>Z(-25°C)/Z(20°C)</td> <td>3</td> <td>8</td> <td></td> </tr> </table> | Rated Voltage (V) | 250 | 450 | (120Hz) | Z(-25°C)/Z(20°C) | 3 | 8 | |
| Rated Voltage (V) | 250 | 450 | (120Hz) | | | | | | |
| Z(-25°C)/Z(20°C) | 3 | 8 | | | | | | | |
| Endurance | <p>After applying rated voltage with rated ripple current for 2000hrs at 105°C, the capacitors shall meet the following requirements.</p> <table border="1"> <tr> <td>Capacitance Change</td> <td>Within ±20% of the initial value.</td> </tr> <tr> <td>Dissipation Factor</td> <td>Not more than 200% of the specified value.</td> </tr> <tr> <td>Leakage Current</td> <td>Not more than the specified value.</td> </tr> </table> | Capacitance Change | Within ±20% of the initial value. | Dissipation Factor | Not more than 200% of the specified value. | Leakage Current | Not more than the specified value. | | |
| Capacitance Change | Within ±20% of the initial value. | | | | | | | | |
| Dissipation Factor | Not more than 200% of the specified value. | | | | | | | | |
| Leakage Current | Not more than the specified value. | | | | | | | | |

◆ MULTIPLIER FOR RIPPLE CURRENT

Frequency coefficient

| Frequency (Hz) | 60(50) | 120 | 500 | 1k | 10k ≤ | |
|----------------|--------|------|------|------|-------|------|
| Coefficient | 250WV | 0.80 | 1.00 | 1.10 | 1.14 | 1.18 |
| | 450WV | 0.80 | 1.00 | 1.05 | 1.10 | 1.15 |

◆ PART NUMBER

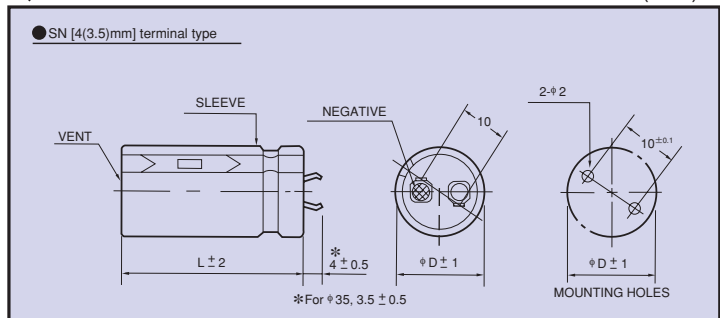
□□□ Rated Voltage SXR Series □□□□□ Rated Capacitance □ Capacitance Tolerance □□□ Option SN Terminal Code DXL Case Size

◆ Option

| | Code |
|--------------------------|-------|
| PET Sleeve without plate | EFC |
| PVC Sleeve without plate | OOE |
| PVC Sleeve with plate | Blank |

◆ DIMENSIONS

(mm)



◆ STANDARD SIZE

| Cap(μF) | WV φ D | 250 | | | | | | | |
|---------|-----------|---------|------|---------|------|---------|------|---------|------|
| | | φ 22 | | φ 25 | | φ 30 | | φ 35 | |
| 120 | | 22 × 25 | 0.66 | | | | | | |
| 150 | | 22 × 30 | 0.76 | | | | | | |
| 180 | | 22 × 30 | 0.84 | 25 × 25 | 0.85 | | | | |
| 220 | | 22 × 35 | 0.98 | 25 × 30 | 1.00 | | | | |
| 270 | | 22 × 40 | 1.11 | 25 × 35 | 1.15 | 30 × 25 | 1.15 | | |
| 330 | | 22 × 45 | 1.26 | 25 × 40 | 1.28 | 30 × 30 | 1.32 | | |
| 390 | | 22 × 50 | 1.41 | 25 × 45 | 1.43 | 30 × 30 | 1.50 | | |
| 470 | | | | 25 × 50 | 1.62 | 30 × 35 | 1.62 | | |
| 560 | | | | | | 30 × 40 | 1.85 | 35 × 30 | 1.84 |
| 680 | | | | | | 30 × 45 | 2.10 | 35 × 35 | 2.09 |
| 820 | | | | | | 30 × 50 | 2.37 | 35 × 40 | 2.34 |
| 1000 | | | | | | | | 35 × 45 | 2.60 |

| Cap(μF) | WV φ D | 450 | | | | | | | |
|---------|-----------|---------|------|---------|------|---------|------|---------|------|
| | | φ 22 | | φ 25 | | φ 30 | | φ 35 | |
| 39 | | 22 × 25 | 0.33 | | | | | | |
| 47 | | 22 × 30 | 0.37 | 25 × 25 | 0.38 | | | | |
| 56 | | 22 × 35 | 0.45 | 25 × 30 | 0.44 | | | | |
| 68 | | 22 × 40 | 0.51 | 25 × 30 | 0.51 | | | | |
| 82 | | 22 × 45 | 0.57 | 25 × 35 | 0.57 | 30 × 25 | 0.58 | | |
| 100 | | 22 × 50 | 0.64 | 25 × 40 | 0.63 | 30 × 30 | 0.65 | | |
| 120 | | | | 25 × 50 | 0.72 | 30 × 35 | 0.72 | | |
| 150 | | | | | | 30 × 40 | 0.76 | 35 × 30 | 0.76 |
| 180 | | | | | | 30 × 45 | 0.89 | 35 × 35 | 0.89 |
| 220 | | | | | | 30 × 50 | 1.00 | 35 × 40 | 1.05 |
| 270 | | | | | | | | 35 × 45 | 1.20 |

↑ Ripple Current (A r.m.s./120Hz, 105°C)
 Case Size φ DXL(mm)