

◆CHIP TYPE PART NUMBER

□□□	□□□□	□□□□□	□	□□□	D×L																		
Rated Voltage	Series	Capacitance	Capacitance Tolerance	Option ※	Case Size																		
↑		↑	↑		↑																		
<table border="1" style="width:100%; border-collapse: collapse;"> <tr><th>Rated Voltage(V)</th><th>Code</th></tr> <tr><td>25</td><td>25</td></tr> <tr><td>63</td><td>63</td></tr> </table>	Rated Voltage(V)	Code	25	25	63	63		<table border="1" style="width:100%; border-collapse: collapse;"> <tr><th>Cap.(μF)</th><th>Code</th></tr> <tr><td>220</td><td>220</td></tr> <tr><td>22</td><td>22</td></tr> </table>	Cap.(μF)	Code	220	220	22	22	<table border="1" style="width:100%; border-collapse: collapse;"> <tr><th>Tolerance</th><th>Code</th></tr> <tr><td>±20%</td><td>M</td></tr> </table>	Tolerance	Code	±20%	M		<table border="1" style="width:100%; border-collapse: collapse;"> <tr><td>8×12</td></tr> <tr><td>10×15</td></tr> </table>	8×12	10×15
Rated Voltage(V)	Code																						
25	25																						
63	63																						
Cap.(μF)	Code																						
220	220																						
22	22																						
Tolerance	Code																						
±20%	M																						
8×12																							
10×15																							
Please indicate the above information, when ordering.																							
Example																							
35	PAV	150	M		10×15																		

◆RADIAL LEAD TYPE PART NUMBER

□□□	□□□□	□□□□□	□	□□□	□□	D×L																				
Rated Voltage	Series	Capacitance	Capacitance Tolerance	Option ※	Lead Forming	Case Size																				
↑		↑	↑		↑	↑																				
<table border="1" style="width:100%; border-collapse: collapse;"> <tr><th>Rated Voltage(V)</th><th>Code</th></tr> <tr><td>25</td><td>25</td></tr> <tr><td>63</td><td>63</td></tr> </table>	Rated Voltage(V)	Code	25	25	63	63		<table border="1" style="width:100%; border-collapse: collapse;"> <tr><th>Cap.(μF)</th><th>Code</th></tr> <tr><td>220</td><td>220</td></tr> <tr><td>10</td><td>10</td></tr> </table>	Cap.(μF)	Code	220	220	10	10	<table border="1" style="width:100%; border-collapse: collapse;"> <tr><th>Tolerance</th><th>Code</th></tr> <tr><td>±20%</td><td>M</td></tr> </table>	Tolerance	Code	±20%	M		<table border="1" style="width:100%; border-collapse: collapse;"> <tr><td>TA, KC, CA etc</td></tr> </table>	TA, KC, CA etc	<table border="1" style="width:100%; border-collapse: collapse;"> <tr><td>6.3×8</td></tr> <tr><td>8×10</td></tr> <tr><td>10×13</td></tr> </table>	6.3×8	8×10	10×13
Rated Voltage(V)	Code																									
25	25																									
63	63																									
Cap.(μF)	Code																									
220	220																									
10	10																									
Tolerance	Code																									
±20%	M																									
TA, KC, CA etc																										
6.3×8																										
8×10																										
10×13																										
Please indicate the above information, when ordering.																										
Example																										
*Long lead type		35	PZA	82	M	8×12.5																				
*Taping type		50	PZC	47	M	T8 10×13																				

※Option : Standard item is blank.

PACKAGING SPECIFICATION
◆V Chip Type

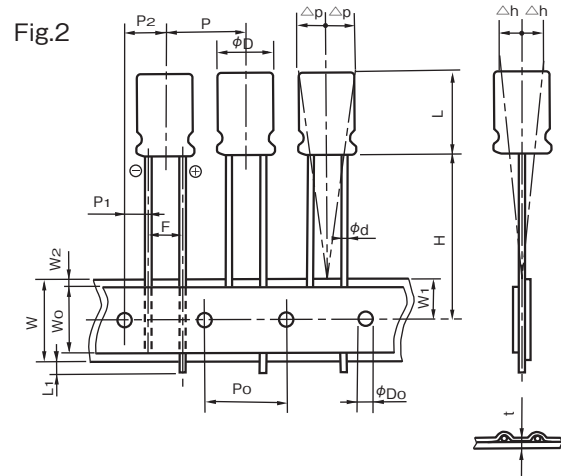
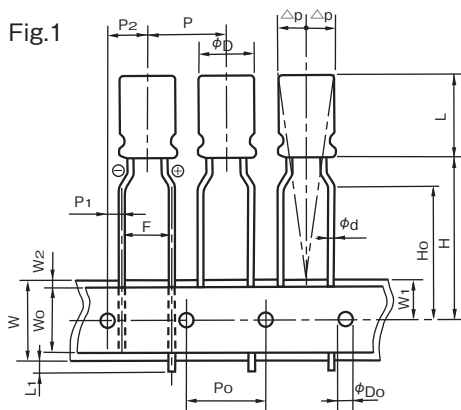
SIZE (mm)	W3 (mm)	φC (mm)	Q'ty (pcs/reel)	Standard Shipping Carton Quantity (pcs/Box)
φ6.3×6.1	18	382	1,000	5,000
φ6.3×8	18	382	900	4,500
φ8×10.5	26	382	500	2,000
φ8×12	26	382	400	1,600
φ8×15	26	382	350	1,400
φ10×10.5	26	382	500	2,000
φ10×12	26	382	400	1,600
φ10×15	26	382	250	1,000

Please refer to TAPING REEL for W3 and φC.

◆RADIAL LEAD TYPE

SIZE (mm)	LONG LEAD (BULK PACKAGE)	LEAD FORMING (BULK PACKAGE)	TAPING
φ6.3×8	1,000	1,000	2,000
φ8×8	1,000	1,000	1,000
φ8×9	1,000	1,000	1,000
φ8×10	1,000	1,000	1,000
φ8×12.5	1,000	1,000	1,000
φ10×9	1,000	1,000	500
φ10×10	1,000	1,000	500
φ10×13	1,000	1,000	500

There are some differences between actual package quantity and above list.

◆ TAPING SPECIFICATIONS
◆ DIMENSIONS

◆ SPECIFICATION TABLE

(mm)

Items	Code	φ6.3		φ8				φ10	※ Tolerance
				8mm Height		9mm or more Height			
Taping code		T5	TZ	TA	T7	TA	T7	T8	
Applicable Fig. No.		Fig.2	Fig.1	Fig.1	Fig.2	Fig.1	Fig.2	Fig.2	
Dia. of lead	φd	0.45				0.6			±0.05
Height of body	L	9.5				15.0			MAX
Distance from center to center of next body	P	12.7							±1.0
Distance from center to center of next driving hole	P ₀	12.7							±0.2
Distance between center of driving hole and lead	P ₁	5.1	3.85	4.6	3.85	4.6	3.85	±0.5	
Distance between center of driving hole and body	P ₂	6.35							±1.0
Pitch of lead	F	2.5	5.0	3.5	5.0	3.5	5.0±0.8	+0.8 -0.2	
Width of mounting tape	W	18.0							±0.3
Width of adhesive tape	W ₀	5.0							MIN
Distance between center of driving hole and mounting tape edge	W ₁	9.0							±0.5
Max. allowable distance between mounting and adhesive tape edges	W ₂	1.5							MAX
Distance between center of driving hole and bottom of body	H	17.5		20.0			18.5 ^{+0.75} _{-0.5}	±0.75	
Distance between center of driving hole and clinch part of lead	H ₀	—	16.0	—	16.0	—	—	±0.5	
End of lead	L ₁	0.5							MAX
Dia. of driving hole	φD ₀	4.0							±0.2
Off alignment of body top	△h	1.0							MAX
Off alignment of body top	△p	1.0							MAX
Sum of thickness for mounting and adhesive tape without lead dia	t	0.6							±0.3
Quantity (pcs)		2000		1000			500		

※For the case that tolerance is specified individually, the value shall have the priority.

◆ LEAD CUTTING FORMING SPECIFICATIONS

Rubycon provides lead-formed and lead-cut products to facilitate mounting on printed circuit boards, as well as products with leads specially processed (kink formed) for self supporting insertions to printed circuit boards.

<p>•Lead forming</p> <p>($\phi 6.3 \sim \phi 8$)</p> <p>Lead forming code : FA</p>		<p style="text-align: right;">(mm)</p> <table border="1"> <thead> <tr> <th>ϕD</th> <th>6.3</th> <th>8</th> </tr> </thead> <tbody> <tr> <td>L</td> <td>L=8</td> <td>L\geq9</td> </tr> <tr> <td>α</td> <td>1.5</td> <td>2.0</td> </tr> <tr> <td>ϕd</td> <td>0.45</td> <td>0.6</td> </tr> <tr> <td>F</td> <td colspan="2">5.0</td> </tr> </tbody> </table>	ϕD	6.3	8	L	L=8	L \geq 9	α	1.5	2.0	ϕd	0.45	0.6	F	5.0																			
ϕD	6.3	8																																	
L	L=8	L \geq 9																																	
α	1.5	2.0																																	
ϕd	0.45	0.6																																	
F	5.0																																		
<p>•Lead cutting</p> <p>($\phi 6.3 \sim \phi 10$)</p> <p>Lead cutting code : CA CC CE</p>		<p style="text-align: right;">(mm)</p> <table border="1"> <thead> <tr> <th>ϕD</th> <th>6.3</th> <th>8</th> <th>10</th> </tr> </thead> <tbody> <tr> <td>F</td> <td>2.5</td> <td>3.5</td> <td>5.0</td> </tr> <tr> <td>L</td> <td>L=8</td> <td colspan="2">L\geq9</td> </tr> <tr> <td>α</td> <td>1.5</td> <td colspan="2">2.0</td> </tr> <tr> <td>ϕd</td> <td>0.45</td> <td colspan="2">0.6</td> </tr> <tr> <td>H</td> <td colspan="3">5.0:CA 4.0:CC 3.5:CE</td> </tr> </tbody> </table>	ϕD	6.3	8	10	F	2.5	3.5	5.0	L	L=8	L \geq 9		α	1.5	2.0		ϕd	0.45	0.6		H	5.0:CA 4.0:CC 3.5:CE											
ϕD	6.3	8	10																																
F	2.5	3.5	5.0																																
L	L=8	L \geq 9																																	
α	1.5	2.0																																	
ϕd	0.45	0.6																																	
H	5.0:CA 4.0:CC 3.5:CE																																		
<p>•Kinked lead forming</p> <p>($\phi 8$)</p> <p>Kinked lead forming code : KC</p>		<p style="text-align: right;">(mm)</p> <table border="1"> <thead> <tr> <th>ϕD</th> <th>8</th> <th>10</th> </tr> </thead> <tbody> <tr> <td>L</td> <td colspan="2">L\geq9</td> </tr> <tr> <td>α</td> <td colspan="2">2.0</td> </tr> <tr> <td>ϕd</td> <td colspan="2">0.6</td> </tr> <tr> <td>H1</td> <td colspan="2">4.5</td> </tr> <tr> <td>H2</td> <td colspan="2">2.8</td> </tr> <tr> <td>H3</td> <td>2.5</td> <td>—</td> </tr> <tr> <td>F</td> <td colspan="2">5.0</td> </tr> <tr> <td>P</td> <td colspan="2">1.0</td> </tr> <tr> <td>E</td> <td>1.2</td> <td>1.3</td> </tr> <tr> <td>Code</td> <td colspan="2">KC</td> </tr> </tbody> </table>	ϕD	8	10	L	L \geq 9		α	2.0		ϕd	0.6		H1	4.5		H2	2.8		H3	2.5	—	F	5.0		P	1.0		E	1.2	1.3	Code	KC	
ϕD	8	10																																	
L	L \geq 9																																		
α	2.0																																		
ϕd	0.6																																		
H1	4.5																																		
H2	2.8																																		
H3	2.5	—																																	
F	5.0																																		
P	1.0																																		
E	1.2	1.3																																	
Code	KC																																		
<p>•Kinked lead cutting</p> <p>($\phi 10$)</p> <p>Kinked lead cutting code : KC</p>		<p style="text-align: right;">(mm)</p> <table border="1"> <thead> <tr> <th>ϕD</th> <th>8</th> <th>10</th> </tr> </thead> <tbody> <tr> <td>L</td> <td colspan="2">L\geq9</td> </tr> <tr> <td>α</td> <td colspan="2">2.0</td> </tr> <tr> <td>ϕd</td> <td colspan="2">0.6</td> </tr> <tr> <td>H1</td> <td colspan="2">4.5</td> </tr> <tr> <td>H2</td> <td colspan="2">2.8</td> </tr> <tr> <td>H3</td> <td>2.5</td> <td>—</td> </tr> <tr> <td>F</td> <td colspan="2">5.0</td> </tr> <tr> <td>P</td> <td colspan="2">1.0</td> </tr> <tr> <td>E</td> <td>1.2</td> <td>1.3</td> </tr> <tr> <td>Code</td> <td colspan="2">KC</td> </tr> </tbody> </table>	ϕD	8	10	L	L \geq 9		α	2.0		ϕd	0.6		H1	4.5		H2	2.8		H3	2.5	—	F	5.0		P	1.0		E	1.2	1.3	Code	KC	
ϕD	8	10																																	
L	L \geq 9																																		
α	2.0																																		
ϕd	0.6																																		
H1	4.5																																		
H2	2.8																																		
H3	2.5	—																																	
F	5.0																																		
P	1.0																																		
E	1.2	1.3																																	
Code	KC																																		
<p>•Low profile with horizontal mounting ($\phi 10$)</p>		<p style="text-align: right;">(mm)</p> <table border="1"> <thead> <tr> <th>ϕD</th> <th colspan="4">10</th> </tr> </thead> <tbody> <tr> <td>Code</td> <td>RI</td> <td>RK</td> <td>RX</td> <td>SG</td> </tr> <tr> <td>ϕd</td> <td colspan="4">0.6</td> </tr> <tr> <td>F</td> <td colspan="4">5.0</td> </tr> <tr> <td>H</td> <td>4.0</td> <td colspan="3">3.5</td> </tr> <tr> <td>Type</td> <td>A</td> <td>B</td> <td>A</td> <td>B</td> </tr> </tbody> </table>	ϕD	10				Code	RI	RK	RX	SG	ϕd	0.6				F	5.0				H	4.0	3.5			Type	A	B	A	B			
ϕD	10																																		
Code	RI	RK	RX	SG																															
ϕd	0.6																																		
F	5.0																																		
H	4.0	3.5																																	
Type	A	B	A	B																															

Chip type capacitors
◆TAPING DIMENSIONS

Size	W ₂ (mm)	A ₂ (mm)	B ₂ (mm)	P (mm)	t ₂ (mm)	F (mm)	t ₁ (mm)
φ6.3×6.1	16.0	7.0	7.0	12.0	6.2	7.5	0.4
φ6.3×8	16.0	7.0	7.0	12.0	8.2	7.5	0.4
φ8×10.5	24.0	8.7	8.7	16.0	11.0	11.5	0.4
φ8×12	24.0	8.7	8.7	16.0	12.5	11.5	0.5
φ8×15	24.0	8.7	8.7	16.0	15.0	11.5	0.5
φ10×10.5	24.0	10.7	10.7	16.0	11.0	11.5	0.4
φ10×12	24.0	10.7	10.7	16.0	12.5	11.5	0.5
φ10×15	24.0	10.7	10.7	20.0	15.0	11.5	0.5

◆TAPING REEL

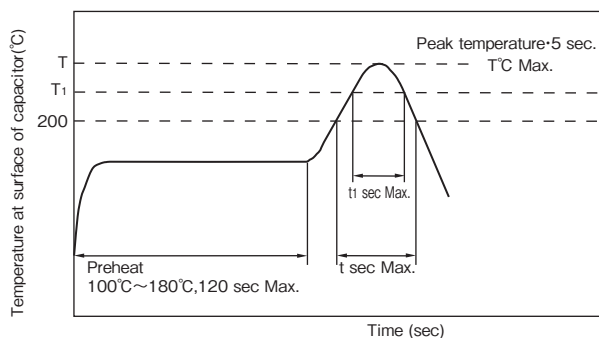
Reuseable reels are available according to your request.
Please consult in regard to establishing supply and withdrawal system.

※Please refer to PACKAGING SPECIFICATION for W₃ and φC.

◆LEAD FREE TYPE REFLOW SOLDERING CONDITION
●Size φ8~φ10

- 1) Temperature at surface of capacitor shall not exceed T°C.
- 2) Period that temperature at surface of capacitor becomes more than 200°C and T₁°C shall not exceed t and t₁ seconds, respectively.
- 3) Preheat shall be made at 100°C~180°C and for maximum 120 seconds.
- 4) Please ensure that the capacitor became cold enough to the room temperature before the second reflow.

Series	Size	T(°C) ①	T ₁ (°C)	t(sec) ②	t ₁ (sec) ③	Reflow cycle
PAV PCV	φ8	250	230	60	40	2
	φ10	260	230	60	40	1
PEV PFV	φ6.3	250	230	60	40	2
	φ8	245	230	60	40	2
	φ10	260	230	60	40	1



- ① Peak temperature
- ② Time more than 200°C (MAX)
- ③ Time more than T₁ (MAX)

※Please contact us if the condition is over the maximum.

◆RECOMMENDED LAND SIZE

Size	a	b	c	d
φ6.3	1.6	3.5	2.1	9.1
φ8	2.2	4.1	3.0	11.2
φ10	2.2	4.3	4.5	13.1

(mm)