

Rubycon **HYBRID POLYMER CAPACITORS** **PJV**

PJV SERIES

UPGRADE



- High Capacitance , High Ripple Current
- Surface Mount Type
- Load life : 4000 hours at 125°C
- AEC-Q200 , 85°C/85% RH , RoHS Compliant

◆ SPECIFICATIONS

Item	Characteristics												
Temperature Range	-55~+125°C												
Rated Voltage Range	25~63Vdc												
Capacitance Tolerance	±20% (20°C, 120Hz)												
Leakage Current (MAX)	I=0.01CV or 3 μ A After 2 minutes (whichever is greater.) I= (μ A) Leakage Current C= (μ F) Capacitance V=(Vdc) Rated Voltage												
Dissipation Factor (MAX)	<table border="1"> <thead> <tr> <th>(Vdc) Rated Voltage</th> <th>25</th> <th>35</th> <th>50</th> <th>63</th> <th>(20°C, 120Hz)</th> </tr> </thead> <tbody> <tr> <td>tan δ</td> <td>0.14</td> <td>0.12</td> <td>0.10</td> <td>0.08</td> <td></td> </tr> </tbody> </table>	(Vdc) Rated Voltage	25	35	50	63	(20°C, 120Hz)	tan δ	0.14	0.12	0.10	0.08	
(Vdc) Rated Voltage	25	35	50	63	(20°C, 120Hz)								
tan δ	0.14	0.12	0.10	0.08									
Endurance (Life)	After applying rated voltage with rated ripple current for 4000 hours at 125°C, the capacitors shall meet the following Criteria.												
Biased Humidity/Temperature 85°C/85%RH	After applying rated voltage for 2000 hours at 85°C and humidity of 85%, the capacitors shall meet the following Criteria .												
Criteria	<table border="1"> <tbody> <tr> <td>Capacitance Change</td> <td>Within ±30% of the initial value.</td> </tr> <tr> <td>Dissipation Factor</td> <td>Not more than 200% of the specified value.</td> </tr> <tr> <td>ESR</td> <td>Not more than 200% of the specified value.</td> </tr> <tr> <td>Leakage Current</td> <td>Not more than the specified value.</td> </tr> </tbody> </table>	Capacitance Change	Within ±30% of the initial value.	Dissipation Factor	Not more than 200% of the specified value.	ESR	Not more than 200% of the specified value.	Leakage Current	Not more than the specified value.				
Capacitance Change	Within ±30% of the initial value.												
Dissipation Factor	Not more than 200% of the specified value.												
ESR	Not more than 200% of the specified value.												
Leakage Current	Not more than the specified value.												
Low Temperature Stability Impedance Ratio (MAX)	Z(-55°C)/Z(+20°C) ≤ 2.0 (100kHz) Z(-25°C)/Z(+20°C) ≤ 1.5												

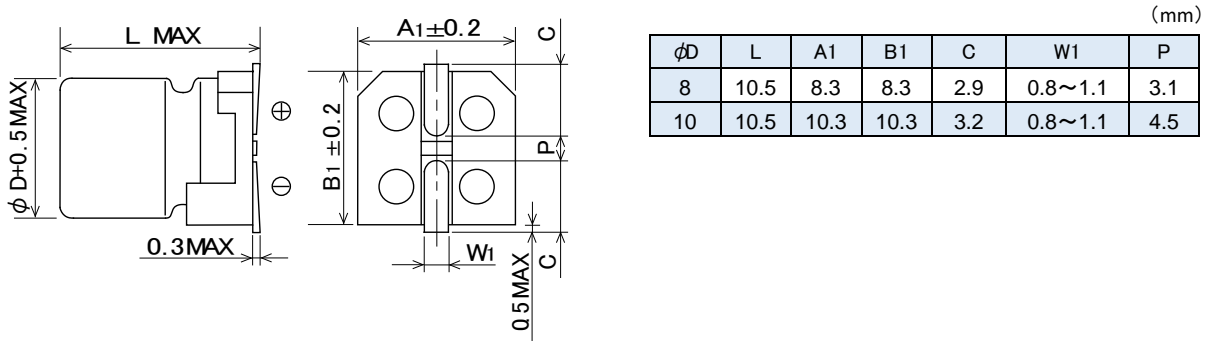
◆ PART NUMBER CONSTRUCTION

<u>□□□</u>	<u>PJV</u>	<u>□□□</u>	<u>M</u>	<u>□□□</u>	<u>φDxL</u>
Rated Voltage	Series	Capacitance	Capacitance Tolerance	Option	Case Size

*Specifications subject to change without notice.

Rubycon **HYBRID POLYMER CAPACITORS** **PJV**

◆ DIMENTIONS



◆ Standard size

Rated Voltage (V)	Capacitance (μ F)	Size φ D × L (mm)	Dissipation Factor(MAX) 120Hz,20°C	Leakage Current (μ A/2min)	E.S.R (mΩ MAX)		Rated Ripple Current (mA rms/ 125°C,100kHz)
					20°C,100kHz	-40°C,10kHz	
25	270	8 × 10.5	0.14	67.5	25	38	1920
	470	10 × 10.5	0.14	117.5	20	30	2800
35	180	8 × 10.5	0.12	63.0	25	38	1920
	330	10 × 10.5	0.12	115.5	20	30	2800
NEW 50	82	8 × 10.5	0.10	41.0	30	45	1700
	150	10 × 10.5	0.10	75.0	28	42	2200
NEW 63	47	8 × 10.5	0.08	29.6	40	60	1500
	82	10 × 10.5	0.08	51.7	30	45	1900

◆ FREQUENCY CORRECTION COEFFICIENT FOR RIPPLE CURRENT

f (Hz) Frequency	120	1k	10k	100k≤
Coefficient	0.05	0.30	0.70	1.00

*Specifications subject to change without notice.