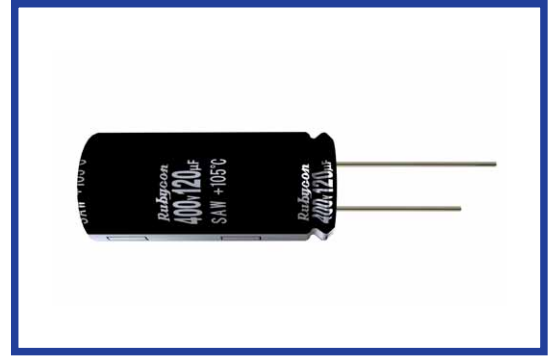


SAW シリーズ  
SÉRIES

UPGRADE

105°C 過電圧弁作動規格設定 小形化品  
105°C Overvoltage Venting Specification, Miniaturized

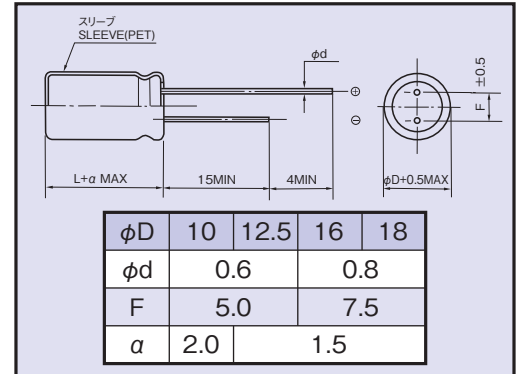
- ・105°C 2000時間品。  
Load Life : 105°C 2000 hours.
- ・コンデンサに過電圧が印加された状態における弁作動規格を設定した製品です。  
詳細については、お問い合わせください。  
This series has specification of vent operation in overvoltage situation.  
Please consult us for any further details.



◆規格表 / SPECIFICATIONS

| 項目 Items  | 特性 Characteristics   |                               |   |                              |  |                         |   |   |  |
|---|--|-------------------------------|---|------------------------------|--|-------------------------|---|---|--|
| カテゴリ温度範囲<br>Category Temperature Range                                  | -25~+105°C   |                               |   |                              |  |                         |   |   |  |
| 定格電圧範囲<br>Rated Voltage Range   | 200~450Vdc   |                               |   |                              |  |                         |   |   |  |
| 静電容量許容差<br>Capacitance Tolerance  | ±20% (20°C, 120Hz)   |                               |   |                              |  |                         |   |   |  |
| 漏れ電流<br>Leakage Current(MAX)  | $I=3\sqrt{CV}$ 以下 (定格電圧印加5分後)<br>$I=3\sqrt{CV}$ (After 5 minutes application of rated voltage)<br><br>I=漏れ電流(μA)    C=静電容量(μF)    V=定格電圧(Vdc)<br>Leakage Current    Capacitance    Rated Voltage   |                               |   |                              |  |                         |   |   |  |
| 損失角の正接<br>(tanδ)<br>Dissipation Factor(MAX)                             | 0.15 (20°C, 120Hz)   |                               |   |                              |  |                         |   |   |  |
| 耐久性<br>Endurance  | 105°C中で2000時間定格電圧(リップル重畳)印加後、下記項目を満足すること。<br>After applying rated voltage with rated ripple current for 2000 hours at 105°C, the capacitors shall meet the following requirements.<br><table border="1"> <tr> <td>静電容量変化率<br/>Capacitance Change</td> <td>初期値の±20%以内<br/>Within ±20% of the initial value.</td> </tr> <tr> <td>損失角の正接<br/>Dissipation Factor</td> <td>規格値の200%以下<br/>Not more than 200% of the specified value.</td> </tr> <tr> <td>漏れ電流<br/>Leakage Current</td> <td>規格値以下<br/>Not more than the specified value.</td> </tr> </table> | 静電容量変化率<br>Capacitance Change | 初期値の±20%以内<br>Within ±20% of the initial value. | 損失角の正接<br>Dissipation Factor | 規格値の200%以下<br>Not more than 200% of the specified value. | 漏れ電流<br>Leakage Current | 規格値以下<br>Not more than the specified value. |   |  |
| 静電容量変化率<br>Capacitance Change   | 初期値の±20%以内<br>Within ±20% of the initial value.  |                               |   |                              |  |                         |   |   |  |
| 損失角の正接<br>Dissipation Factor  | 規格値の200%以下<br>Not more than 200% of the specified value.   |                               |   |                              |  |                         |   |   |  |
| 漏れ電流<br>Leakage Current   | 規格値以下<br>Not more than the specified value.  |                               |   |                              |  |                         |   |   |  |
| 低温特性<br>Low Temperature Stability<br>(インピーダンス比)<br>Impedance Ratio(MAX) | <table border="1"> <tr> <td>定格電圧(Vdc)<br/>Rated Voltage</td> <td>200</td> <td>400, 450</td> <td>(120Hz)</td> </tr> <tr> <td>Z(-25°C)/Z(20°C)</td> <td>3</td> <td>8</td> <td></td> </tr> </table>   | 定格電圧(Vdc)<br>Rated Voltage    | 200   | 400, 450                     | (120Hz)  | Z(-25°C)/Z(20°C)        | 3   | 8 |  |
| 定格電圧(Vdc)<br>Rated Voltage  | 200  | 400, 450                      | (120Hz)   |                              |  |                         |   |   |  |
| Z(-25°C)/Z(20°C)  | 3  | 8                             |   |                              |  |                         |   |   |  |

◆寸法図 / DIMENSIONS (mm)



◆標準品一覧表 / STANDARD SIZE

| 定格電圧<br>Rated Voltage<br>(Vdc) | 静電容量<br>Capacitance<br>(μF) | 外形寸法<br>Size<br>φD×L<br>(mm) | 定格リップル電流<br>Rated Ripple Current<br>(A r.m.s./105°C, 120Hz) |
|--------------------------------|-----------------------------|------------------------------|---|
| 200                            | 120                         | 16×20                        | 0.49  |
|                                | 150                         | 18×20                        | 0.53  |
|                                | 180                         | 16×30                        | 0.66  |
|                                | 180                         | 18×25                        | 0.62  |
|                                | 220                         | 16×30                        | 0.71  |
|                                | 220                         | 18×25                        | 0.71  |
| 400                            | 270                         | 18×30                        | 0.81  |
|                                | 18                          | 12.5×20                      | 0.14  |
|                                | 22                          | 12.5×25                      | 0.16  |
|                                | 27                          | 12.5×25                      | 0.18  |
|                                | 27                          | 16×20                        | 0.19  |
|                                | 33                          | 16×20                        | 0.21  |
|                                | 39                          | 16×25                        | 0.25  |
|                                | 39                          | 18×20                        | 0.25  |
|                                | 47                          | 16×25                        | 0.28  |
|                                | 47                          | 18×20                        | 0.28  |
|                                | 56                          | 16×30                        | 0.30  |
|                                | 56                          | 18×25                        | 0.30  |
|                                | 68                          | 16×35                        | 0.35  |
|                                | 68                          | 18×25                        | 0.33  |
| 450                            | 82                          | 16×40                        | 0.40  |
|                                | 82                          | 18×30                        | 0.38  |
|                                | 100                         | 18×35                        | 0.44  |
|                                | 120                         | 18×40                        | 0.50  |
|                                | 4.7                         | 10×12.5                      | 0.065   |
|                                | 10                          | 10×20                        | 0.11  |
|                                | 22                          | 16×20                        | 0.18  |
|                                | 33                          | 16×25                        | 0.23  |
|                                | 39                          | 18×25                        | 0.25  |
|                                | 47                          | 18×25                        | 0.32  |
| 56                             | 18×35                       | 0.45                         |   |
| 68                             | 18×31.5                     | 0.45                         |   |
| 68                             | 18×35                       | 0.47                         |   |
| 82                             | 18×40                       | 0.51                         |   |

◆リップル電流補正係数 / MULTIPLIER FOR RIPPLE CURRENT

| 周波数 (Hz) Frequency | 60 (50)     | 120  | 500  | 1k   | 10k≤ |      |
|--------------------|-------------|------|------|------|------|------|
| 係数<br>Coefficient  | 200Vdc      | 0.80 | 1.00 | 1.10 | 1.14 | 1.18 |
|                    | 400, 450Vdc | 0.80 | 1.00 | 1.05 | 1.10 | 1.15 |

◆副記号 / OPTION

|                    | 記号 Code |
|--------------------|---------|
| PETスリーブ PET Sleeve | EFC     |

◆呼称方法 / PART NUMBER

|                       |                 |                     |                                  |               |                         |                     |
|-----------------------|-----------------|---------------------|----------------------------------|---------------|-------------------------|---------------------|
| □□□                   | SAW             | □□□□□               | M                                | □□□           | □□                      | D×L                 |
| 定格電圧<br>Rated Voltage | シリーズ名<br>Series | 静電容量<br>Capacitance | 静電容量許容差<br>Capacitance Tolerance | 副記号<br>Option | リード加工記号<br>Lead Forming | ケースサイズ<br>Case Size |