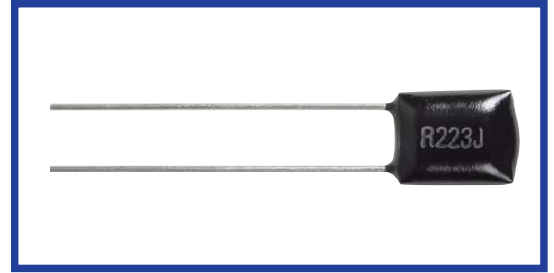


H2D シリーズ
SERIES

箔巻きタイプ：高耐熱品
Foil Winding Type : Heat-resisting

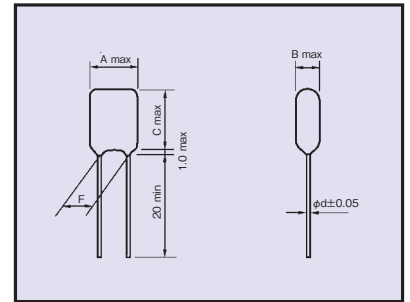
・誘電体にポリフェニレンスルフィドフィルムを使用した最高使用温度125℃のフィルムコンデンサです。
It is a film capacitor with a polyphenylene sulfide film used for the rated temperature of 125℃.
・温度特性が極めて優れています。
It has excellent temperature characteristics.



◆規格表 / SPECIFICATIONS

カテゴリ温度範囲/Category Temperature Range	-55℃~+125℃
定格電圧/Rated Voltage (UR)	50Vdc, 100Vdc
静電容量許容差/Capacitance Tolerance	C<0.001μF:±3%(H), ±5%(J) C≥0.001μF:±2%(G), ±3%(H), ±5%(J)
誘電正接/tanδ	C≤0.33μF:0.003max C>0.33μF:0.005max at 1kHz
耐電圧/Voltage Proof	UR×200% 60s
絶縁抵抗/Insulation Resistance	30000MΩmin
準拠規格/Reference Standard	JIS C 5101-1

◆寸法図 / DIMENSIONS (mm)



◆呼称方法 / PART NUMBER



◆標準品一覧表 / STANDARD SIZE

□:静電容量許容差記号 / Capacitance Tolerance **:テーピング記号 / Taping

定格電圧 Rated Voltage	静電容量 Cap(μF)	寸法 Dimensions (mm)						標準梱包数 / Typical Packaging Quantity (pcs)								品番 Part No.
		A	B	C	F	*LS±0.5	d	ロングリード品 Long Lead type		テーピング(つづら)品 - 形状別 Taping Ammo Pack Type - Style						
								Bag	Carton	TV	TF	-	-	TS		
50 Vdc	0.00047	6.0	3.5	8.5	3.5±0.5	5.0	0.5	200	10,000	3,000	-	-	-	3,000	50H2D471	□**
	0.00056	6.0	3.5	8.5	3.5±0.5	5.0	0.5	200	10,000	3,000	-	-	-	3,000	50H2D561	□**
	0.00068	6.0	3.5	8.5	3.5±0.5	5.0	0.5	200	10,000	3,000	-	-	-	3,000	50H2D681	□**
	0.00082	6.0	3.5	8.5	3.5±0.5	5.0	0.5	200	10,000	3,000	-	-	-	3,000	50H2D821	□**
	0.001	6.0	3.5	8.5	3.5±0.5	5.0	0.5	200	10,000	3,000	-	-	-	3,000	50H2D102	□**
	0.0012	6.0	3.5	8.5	3.5±0.5	5.0	0.5	200	10,000	3,000	-	-	-	3,000	50H2D122	□**
	0.0015	6.5	3.5	8.5	3.5±0.5	5.0	0.5	200	10,000	3,000	-	-	-	3,000	50H2D152	□**
	0.0018	6.5	3.5	8.5	3.5±0.5	5.0	0.5	200	10,000	3,000	-	-	-	3,000	50H2D182	□**
	0.0022	6.5	3.5	8.5	3.5±0.5	5.0	0.5	200	10,000	3,000	-	-	-	3,000	50H2D222	□**
	0.0027	6.5	3.5	8.5	3.5±0.5	5.0	0.5	200	10,000	3,000	-	-	-	3,000	50H2D272	□**
	0.0033	6.5	3.5	8.5	3.5±0.5	5.0	0.5	200	10,000	2,500	-	-	-	2,500	50H2D332	□**
	0.0039	6.5	3.5	8.5	3.5±0.5	5.0	0.5	200	10,000	2,500	-	-	-	2,500	50H2D392	□**
	0.0047	6.5	3.5	8.5	3.5±0.5	5.0	0.5	200	10,000	2,500	-	-	-	2,500	50H2D472	□**
	0.0056	6.5	3.5	8.5	3.5±0.5	5.0	0.5	200	10,000	2,500	-	-	-	2,500	50H2D562	□**
	0.0068	7.0	4.0	8.0	3.5±0.5	5.0	0.5	200	10,000	2,500	-	-	-	2,500	50H2D682	□**
	0.0082	7.0	4.0	8.0	3.5±0.5	5.0	0.5	200	10,000	2,500	-	-	-	2,500	50H2D822	□**
	0.01	7.0	4.0	8.0	3.5±0.5	5.0	0.5	200	8,000	2,500	-	-	-	2,500	50H2D103	□**
	0.012	7.0	4.0	8.0	3.5±0.5	5.0	0.5	200	8,000	2,000	-	-	-	2,000	50H2D123	□**
	0.015	7.0	4.5	9.0	3.5±0.5	5.0	0.5	200	8,000	2,000	-	-	-	2,000	50H2D153	□**
	0.018	7.0	4.5	9.0	3.5±0.5	5.0	0.5	200	8,000	2,000	-	-	-	2,000	50H2D183	□**
	0.022	7.5	5.0	9.5	3.5±0.5	5.0	0.5	200	8,000	2,000	-	-	-	2,000	50H2D223	□**
	0.027	7.5	5.0	9.5	3.5±0.5	5.0	0.5	200	5,000	2,000	-	-	-	2,000	50H2D273	□**
	0.033	8.5	5.5	10.0	3.5±0.5	5.0	0.5	200	5,000	2,000	-	-	-	2,000	50H2D333	□**
	0.039	8.5	5.5	10.0	5.0±1.0	5.0	0.5	200	5,000	1,500	-	-	-	1,500	50H2D393	□**
	0.047	9.0	5.5	10.0	5.0±1.0	5.0	0.5	200	4,000	1,500	-	-	-	1,500	50H2D473	□**
	0.056	9.0	6.0	11.0	5.0±1.0	5.0	0.5	200	4,000	1,500	-	-	-	1,500	50H2D563	□**
	0.068	9.0	6.0	11.0	5.0±1.0	5.0	0.5	200	4,000	1,500	-	-	-	1,500	50H2D683	□**
	0.082	10.0	7.5	12.0	5.0±1.0	5.0	0.5	200	3,000	1,000	-	-	-	1,000	50H2D823	□**
0.1	10.5	8.0	12.0	5.0±1.0	5.0	0.5	200	3,000	1,000	-	-	-	1,000	50H2D104	□**	
0.12	11.0	8.0	12.5	5.0±1.0	5.0	0.5	200	3,000	-	-	-	-	-	50H2D124	□**	
0.15	12.0	8.5	12.5	5.0±1.0	5.0	0.5	200	2,000	-	-	-	-	-	50H2D154	□**	
0.18	12.5	9.0	12.5	7.5±1.0	5.0	0.5	200	2,000	-	-	-	-	-	50H2D184	□**	
0.22	13.0	9.5	14.5	7.5±1.0	5.0	0.5	200	2,000	-	-	-	-	-	50H2D224	□**	
0.27	13.5	9.5	16.0	7.5±1.0	5.0	0.6	200	2,000	-	-	-	-	-	50H2D274	□**	
0.33	15.0	10.0	16.0	7.5±1.0	5.0	0.6	100	1,500	-	-	-	-	-	50H2D334	□**	
0.39	15.5	11.5	16.5	7.5±1.0	5.0	0.6	100	1,000	-	-	-	-	-	50H2D394	□**	
0.47	16.5	12.5	17.0	7.5±1.0	5.0	0.6	100	1,000	-	-	-	-	-	50H2D474	□**	

※LSはテーピング仕様を参照ください。
LS:Please refer to Taping specification section.



ポリフェニレンスルフィドフィルムコンデンサ

POLYPHENYLENE SULFIDE FILM CAPACITORS

H2D

◆標準品一覧表 / STANDARD SIZE

□: 静電容量許容差記号 / Capacitance Tolerance **: テーピング記号 / Taping

定格電圧 Rated Voltage	静電容量 Cap(μF)	寸法 Dimensions (mm)						標準梱包数 / Typical Packaging Quantity (pcs)							品番 Part No.
		A	B	C	F	* LS±0.5	d	ロングリード品 Long Lead type		テーピング(つづら)品 - 形状別 Taping Ammo Pack Type - Style					
								Bag	Carton	TV	TF	—	—	TS	
100 Vdc	0.00047	6.0	3.5	8.5	3.5±0.5	5.0	0.5	200	10,000	3,000	—	—	—	3,000	100H2D471□**
	0.00056	6.0	3.5	8.5	3.5±0.5	5.0	0.5	200	10,000	3,000	—	—	—	3,000	100H2D561□**
	0.00068	6.0	3.5	8.5	3.5±0.5	5.0	0.5	200	10,000	3,000	—	—	—	3,000	100H2D681□**
	0.00082	6.0	3.5	8.5	3.5±0.5	5.0	0.5	200	10,000	3,000	—	—	—	3,000	100H2D821□**
	0.001	6.0	3.5	8.5	3.5±0.5	5.0	0.5	200	10,000	3,000	—	—	—	3,000	100H2D102□**
	0.0012	6.0	3.5	8.5	3.5±0.5	5.0	0.5	200	10,000	3,000	—	—	—	3,000	100H2D122□**
	0.0015	6.5	3.5	8.5	3.5±0.5	5.0	0.5	200	10,000	3,000	—	—	—	3,000	100H2D152□**
	0.0018	6.5	3.5	8.5	3.5±0.5	5.0	0.5	200	10,000	3,000	—	—	—	3,000	100H2D182□**
	0.0022	6.5	3.5	8.5	3.5±0.5	5.0	0.5	200	10,000	3,000	—	—	—	3,000	100H2D222□**
	0.0027	6.5	3.5	8.5	3.5±0.5	5.0	0.5	200	10,000	3,000	—	—	—	3,000	100H2D272□**
	0.0033	6.5	4.0	8.5	3.5±0.5	5.0	0.5	200	10,000	2,500	—	—	—	2,500	100H2D332□**
	0.0039	6.5	4.0	8.5	3.5±0.5	5.0	0.5	200	10,000	2,500	—	—	—	2,500	100H2D392□**
	0.0047	6.5	4.0	8.5	3.5±0.5	5.0	0.5	200	10,000	2,500	—	—	—	2,500	100H2D472□**
	0.0056	6.5	4.0	8.5	3.5±0.5	5.0	0.5	200	10,000	2,500	—	—	—	2,500	100H2D562□**
	0.0068	7.5	4.0	10.0	5.0±1.0	5.0	0.5	200	8,000	2,000	—	—	—	2,000	100H2D682□**
	0.0082	8.0	4.0	10.0	5.0±1.0	5.0	0.5	200	8,000	2,000	—	—	—	2,000	100H2D822□**
	0.01	8.0	4.0	10.5	5.0±1.0	5.0	0.5	200	8,000	2,000	—	—	—	2,000	100H2D103□**
	0.012	8.0	4.0	10.5	5.0±1.0	5.0	0.5	200	8,000	2,000	—	—	—	2,000	100H2D123□**
	0.015	8.5	4.5	11.0	5.0±1.0	5.0	0.5	200	6,000	1,500	—	—	—	1,500	100H2D153□**
	0.018	8.5	4.5	11.0	5.0±1.0	5.0	0.5	200	6,000	1,500	—	—	—	1,500	100H2D183□**
	0.022	8.5	4.5	12.0	5.0±1.0	5.0	0.5	200	6,000	1,500	—	—	—	1,500	100H2D223□**
	0.027	8.5	4.5	12.0	5.0±1.0	5.0	0.5	200	6,000	1,500	—	—	—	1,500	100H2D273□**
	0.033	9.0	5.0	12.5	5.0±1.0	5.0	0.5	200	6,000	1,500	—	—	—	1,500	100H2D333□**
	0.039	9.0	5.0	12.5	5.0±1.0	5.0	0.5	200	6,000	1,500	—	—	—	1,500	100H2D393□**
	0.047	9.5	5.5	13.0	5.0±1.0	5.0	0.5	200	5,000	1,500	—	—	—	1,500	100H2D473□**
	0.056	10.0	6.0	13.0	5.0±1.0	5.0	0.5	200	4,000	1,000	—	—	—	1,000	100H2D563□**
	0.068	10.5	6.5	13.0	5.0±1.0	5.0	0.5	200	4,000	1,000	—	—	—	1,000	100H2D683□**
	0.082	10.5	7.0	13.5	7.5±1.5	5.0	0.5	200	4,000	—	500	—	—	—	100H2D823□**
0.1	11.5	7.5	14.0	7.5±1.5	5.0	0.5	100	3,000	—	500	—	—	—	100H2D104□**	
0.12	12.0	7.5	16.0	7.5±1.5	5.0	0.6	100	2,000	—	—	—	—	—	100H2D124□**	
0.15	12.5	7.5	17.0	7.5±1.5	5.0	0.6	100	2,000	—	—	—	—	—	100H2D154□**	
0.18	13.0	8.0	17.0	7.5±1.5	5.0	0.6	100	2,000	—	—	—	—	—	100H2D184□**	
0.22	14.0	9.0	17.0	7.5±1.5	5.0	0.6	100	1,000	—	—	—	—	—	100H2D224□**	