



LARGE CAN TYPE ALUMINUM ELECTROLYTIC CAPACITORS MXF

MXF SERIES

Previous Series

105°C Low profile, Snap-in Terminal Type

◆FEATURES

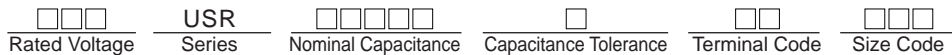
◆Load Life : 105°C 2000 hours with 20mm height.



◆SPECIFICATIONS

Items	Characteristics																									
Operating Temperature Range	-40~+105°C	-25~+105°C																								
Rated Voltage Range	10~100V.DC	160~400V.DC																								
Capacitance Tolerance	±20%(20°C,120Hz)																									
Leakage Current(MAX)	$I=3 \sqrt{CV}$ (After 5 minutes application of rated voltage) I=Leakage Current(μA) V=Rated Voltage(V) C=Nominal Capacitance(μF)																									
Dissipation Factor(MAX)	<table border="1"> <thead> <tr> <th>Rated Voltage (V)</th> <th>10</th> <th>16</th> <th>25</th> <th>35</th> <th>50</th> <th>63</th> <th>80</th> <th>100</th> <th>160~250</th> <th>315~400</th> <th>(20°C, 120Hz)</th> </tr> </thead> <tbody> <tr> <td>tanδ</td> <td>0.55</td> <td>0.50</td> <td>0.45</td> <td>0.40</td> <td>0.35</td> <td>0.30</td> <td>0.25</td> <td>0.20</td> <td>0.15</td> <td>0.25</td> <td></td> </tr> </tbody> </table>		Rated Voltage (V)	10	16	25	35	50	63	80	100	160~250	315~400	(20°C, 120Hz)	tanδ	0.55	0.50	0.45	0.40	0.35	0.30	0.25	0.20	0.15	0.25	
Rated Voltage (V)	10	16	25	35	50	63	80	100	160~250	315~400	(20°C, 120Hz)															
tanδ	0.55	0.50	0.45	0.40	0.35	0.30	0.25	0.20	0.15	0.25																
Impedance Ratio(MAX)	<table border="1"> <thead> <tr> <th>Rated Voltage (V)</th> <th>10~100</th> <th>160~250</th> <th>315~400</th> <th>(120Hz)</th> </tr> </thead> <tbody> <tr> <td>Z(-25°C)/Z(20°C)</td> <td>3</td> <td>3</td> <td>8</td> <td></td> </tr> <tr> <td>Z(-40°C)/Z(20°C)</td> <td>12</td> <td></td> <td></td> <td></td> </tr> </tbody> </table>		Rated Voltage (V)	10~100	160~250	315~400	(120Hz)	Z(-25°C)/Z(20°C)	3	3	8		Z(-40°C)/Z(20°C)	12												
Rated Voltage (V)	10~100	160~250	315~400	(120Hz)																						
Z(-25°C)/Z(20°C)	3	3	8																							
Z(-40°C)/Z(20°C)	12																									
Load Life	After applying rated voltage with max. ripple current for 2000hrs at 105°C, the capacitors shall meet the following requirements. <table border="1"> <tbody> <tr> <td>Capacitance Change</td> <td>Within±20% of the initial value.</td> </tr> <tr> <td>Dissipation Factor</td> <td>Not more than 200% of the specified value.</td> </tr> <tr> <td>Leakage Current</td> <td>Not more than the specified value.</td> </tr> </tbody> </table>		Capacitance Change	Within±20% of the initial value.	Dissipation Factor	Not more than 200% of the specified value.	Leakage Current	Not more than the specified value.																		
Capacitance Change	Within±20% of the initial value.																									
Dissipation Factor	Not more than 200% of the specified value.																									
Leakage Current	Not more than the specified value.																									

◆EXPLANATION OF PART NUMBER



◆Terminal Code

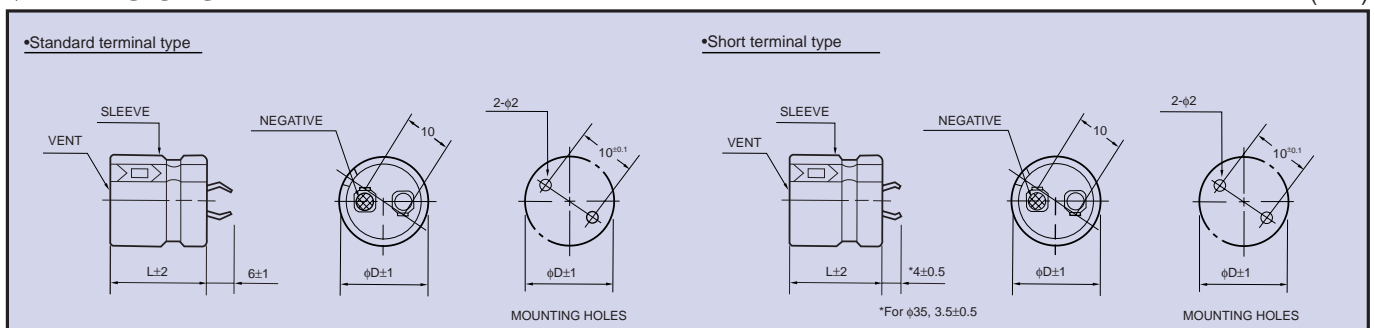
	Code
Standard Terminal	Blank
Short Terminal	ST

◆SIZE CODE

L	φD	22	25	30
20		A20	B20	C20

◆DIMENSIONS

(mm)





LARGE CAN TYPE ALUMINUM ELECTROLYTIC CAPACITORS MXF

◆ **STANDARD SIZE, MAX. PERMISSIBLE RIPPLE CURRENT**

Cap(μF) \ WV	10	16	25	35	50	63	80	100
330								22x20 0.60
390								25x20 0.71
470							22x20 0.65	25x20 0.78
560							22x20 0.70	30x20 0.95
680						22x20 0.83	25x20 0.84	30x20 1.09
820						25x20 0.99	30x20 1.04	30x20 1.32
1000					22x20 0.87	25x20 1.10	30x20 1.19	
1200					25x20 1.02	30x20 1.20	30x20 1.44	
1500				22x20 0.80	25x20 1.15	30x20 1.47		
1800				25x20 0.94	30x20 1.34	30x20 1.52		
2200			22x20 0.98	25x20 1.04	30x20 1.60			
2700			25x20 1.08	30x20 1.29				
3300		22x20 1.06	25x20 1.29	30x20 1.45				
3900		25x20 1.25	30x20 1.58					
4700	22x20 0.98	25x20 1.38	30x20 1.61					
5600	25x20 1.16	30x20 1.68						
6800	25x20 1.31	30x20 1.80						
8200	30x20 1.59							
10000	30x20 1.77							

Cap(μF) \ WV	160	180	200	250	315	350	400
33							22x20 0.25
39						22x20 0.27	25x20 0.28
47					22x20 0.28	25x20 0.31	25x20 0.31
56					25x20 0.34	25x20 0.34	30x20 0.36
68				22x20 0.39	25x20 0.39	30x20 0.40	30x20 0.40
82				22x20 0.45	30x20 0.45	30x20 0.45	
100		22x20 0.50	22x20 0.51	25x20 0.59	30x20 0.49		
120	22x20 0.53	22x20 0.54	22x20 0.56	25x20 0.62			
150	22x20 0.59	25x20 0.63	25x20 0.65	30x20 0.76			
180	25x20 0.70	25x20 0.70	30x20 0.78	30x20 0.79			
220	25x20 0.75	30x20 0.85	30x20 0.85				
270	30x20 0.95	30x20 0.95					
330	30x20 1.05						

Ripple Current A r.m.s./120Hz·105°C
Case Size φD^{±1}xL^{±2}(mm)

◆ **MULTIPLIER FOR RIPPLE CURRENT**

(1)Temperature coefficient

Ambient Temperature(°C)	105	85	65≥
Coefficient	1.0	1.7	2.1

(2)Frequency coefficient

Frequency	60	120	500	1k	10k≤	
Coefficient	10~100WV	0.90	1.00	1.05	1.10	1.15
	160~250WV	0.80	1.00	1.10	1.14	1.18
	315~400WV	0.80	1.00	1.05	1.10	1.15